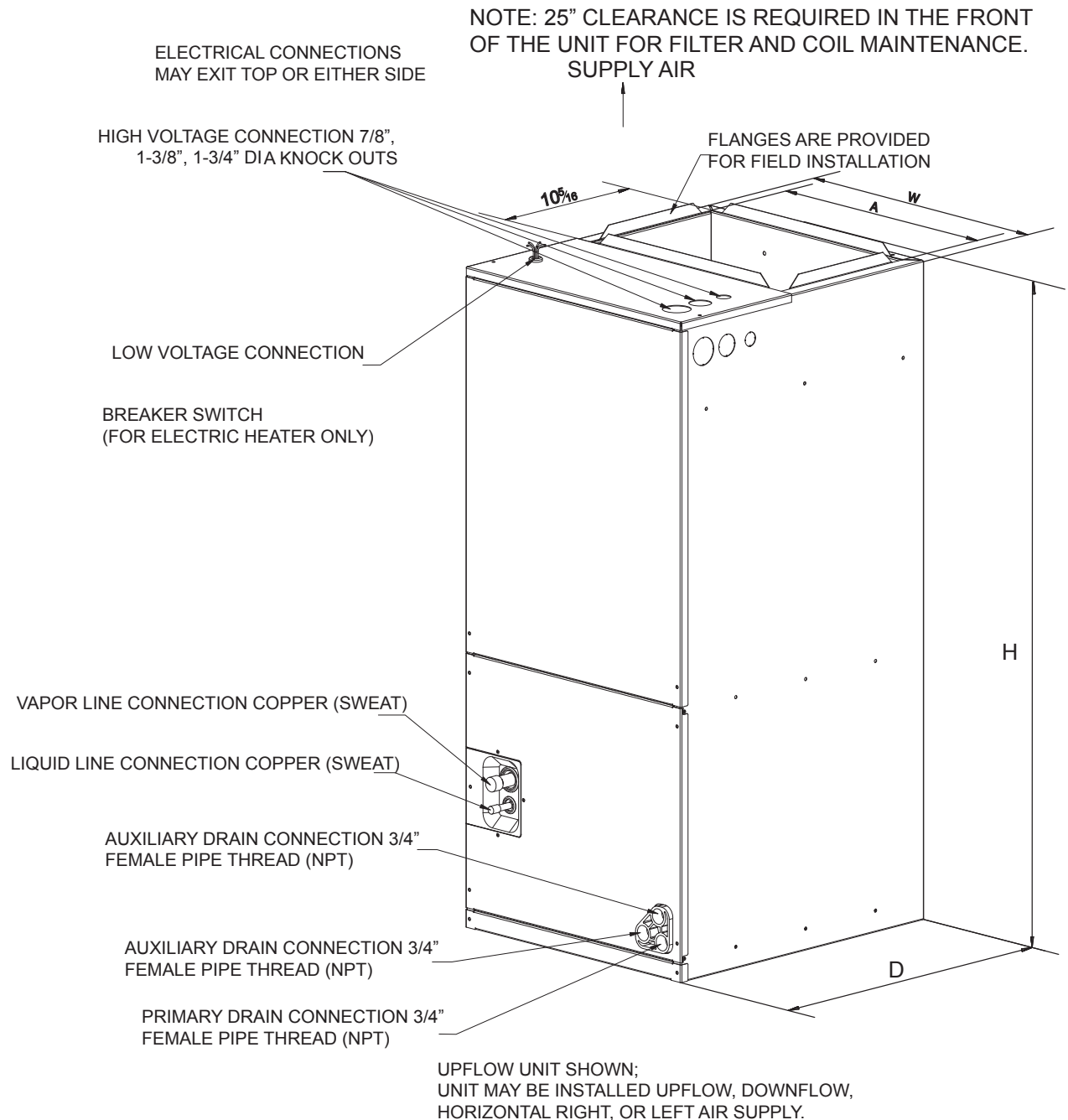


# Submittal

## AMC36S1A - 2 Ton Constant Torque Air Handler



Note: All dimensions are in mm/inches.

AMC36S1A	H	W	D	A
	1180 (46-1/2)	500 (19-5/8)	550 (21-5/8)	456 (18)

## PRODUCT SPECIFICATIONS:

<b>MODEL</b>	<b>AMC36S1A</b>
RATED VOLTS/PH/HZ.	208-230/1/60
RATINGS	See O.D. Specifications
<b>INDOOR COIL — Type</b>	Plate Fin
Rows — F.P.I.	4 - 17
Face Area (sq. ft.)	4.02
Tube Size (in.)	9/32
Refrigerant Control	Orifice
Drain Conn. Size (in.)	3/4 NPT
DUCT CONNECTIONS	See Outline Drawing
<b>INDOOR FAN — Type</b>	Centrifugal
Diameter-Width (In.)	13 X 10-5/8
No. Used	1
Drive - No. Speeds	Direct - 5
CFM vs. in. w.g.	See Fan Performance Table
No. Motors — H.P.	1 - 1/2
Motor Speed R.P.M.	1050
Volts/Ph/Hz	208-230/1/60
F.L. Amps	4.1
Filter Furnished	No
Type Recommended	Throwaway
No.-Size-Thickness	1 - 18 X 20 - 1 in.
<b>REFRIGERANT</b>	R-410A
Ref. Line Connections	Brazed
Coupling or Conn. Size — in. Gas	3/4
Coupling or Conn. Size — in. Liq.	3/8
<b>DIMENSIONS</b>	H x W x D
Crated (In.)	47-1/8x22-5/16x25-3/8
Uncrated	46-1/2 x19-5/8 x 21-5/8
Shipping (Lbs.) / Net (Lbs.)	141/125



# Submittal AMC36S1A

## FEATURES:

- Available for cooling and heat pump applications
- Multi-speed ECM blower motor
- Factory-sealed cabinet certified to achieve 2% or less leakage rate at 1.0 inch water column
- Multi-position Installation
- Horizontal and vertical condensate drain pans standard
- Blower and coil slide out for ease of maintenance
- Field Installed heater kits are optional: 5/7.5/10/15/20kW
- AHRI Listed & ETL Certified



Heater Kit Model Used	Electric Heat (kW)	Min. Circuit Ampacity		Max. Fuse or Breaker (HACR) Ampacity		Minimum Heating Blower Speed	
		230V	208V	230V	208V	Without HP	With HP
EHK-05A(UL)	5	29.9	26.4	30	30	Low	Low
EHK-08A(UL)	7.5	42.9	37.7	45	40	Low	Low
EHK-10A(UL)	10	55.9	49	60	50	Low	Low
EHK-15B(UL)	15	55.9/26.1	49/22.6	60/30	50/25	Low	Low
EHK-20B(UL)	20	55.9/52.1	49/45.2	60/60	50/50	MIDDLE	MIDDLE

Motor Speed		AIR FLOW PERFORMANCE									
		Factory set at Medium High Speed									
		External Static Pressure-Inches W.C. (kPa)									
			0(0)	0.1(.02)	0.2(.05)	0.3(.07)	0.4(.10)	0.5(.12)	0.6(.15)	0.7(.17)	0.8(.20)
1	CFM	898	752	603	511	405	360	301	259	203	
2	CFM	1026	902	810	694	630	544	490	409	366	
3	CFM	1161	1114	1052	992	893	825	768	694	646	
4	CFM	1287	1244	1186	1142	1078	969	914	892	893	
5	CFM	1491	1442	1396	1348	1302	1243	1150	1088	1029	