

---

*Comfort-Aire*®

**Century**®

---

## Inverter Driven High Efficiency Heat Pump

### Parts List

**HP19V24**

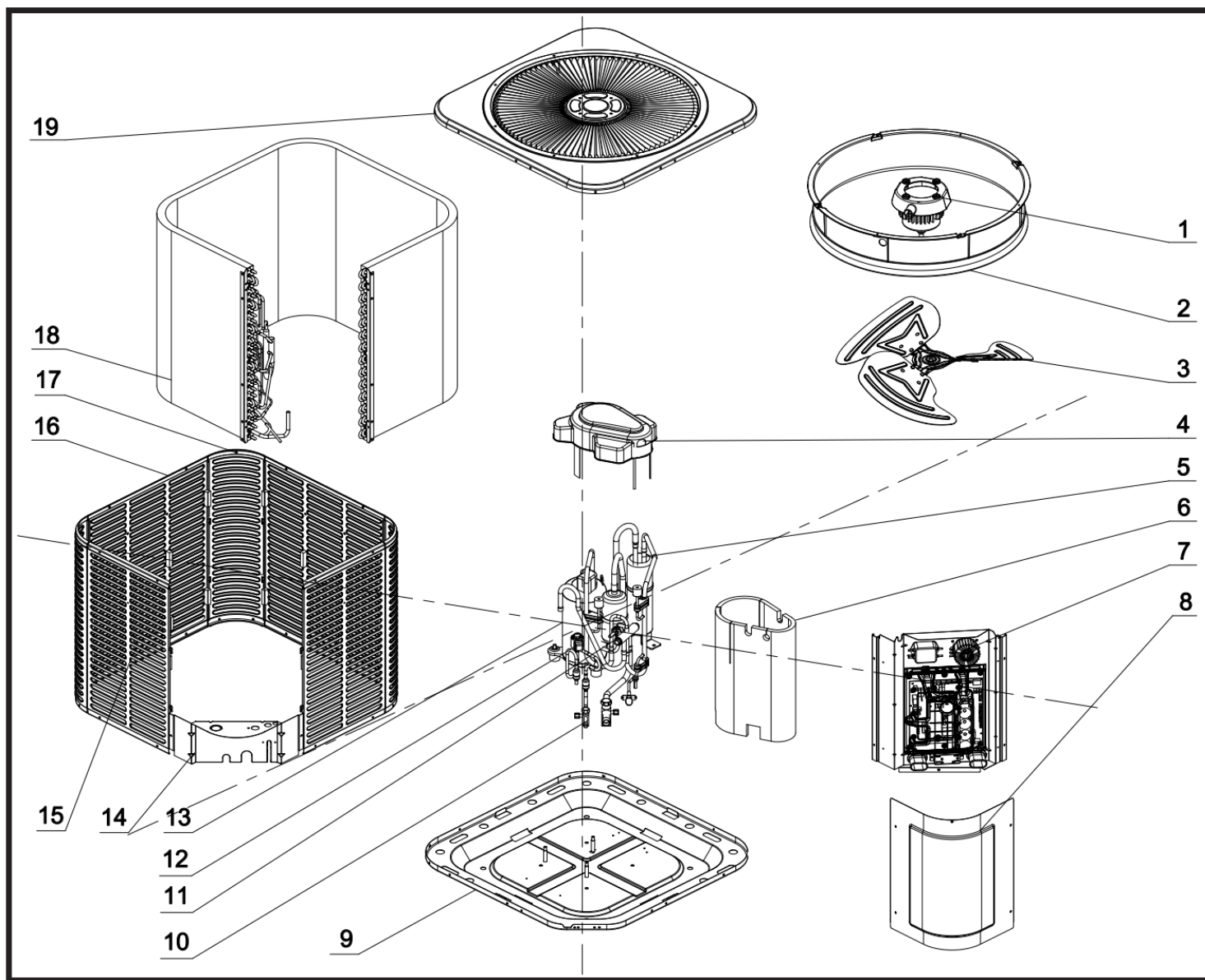
**HP19V36**

**HP19V48**

**HP19V60**

**MARS**®

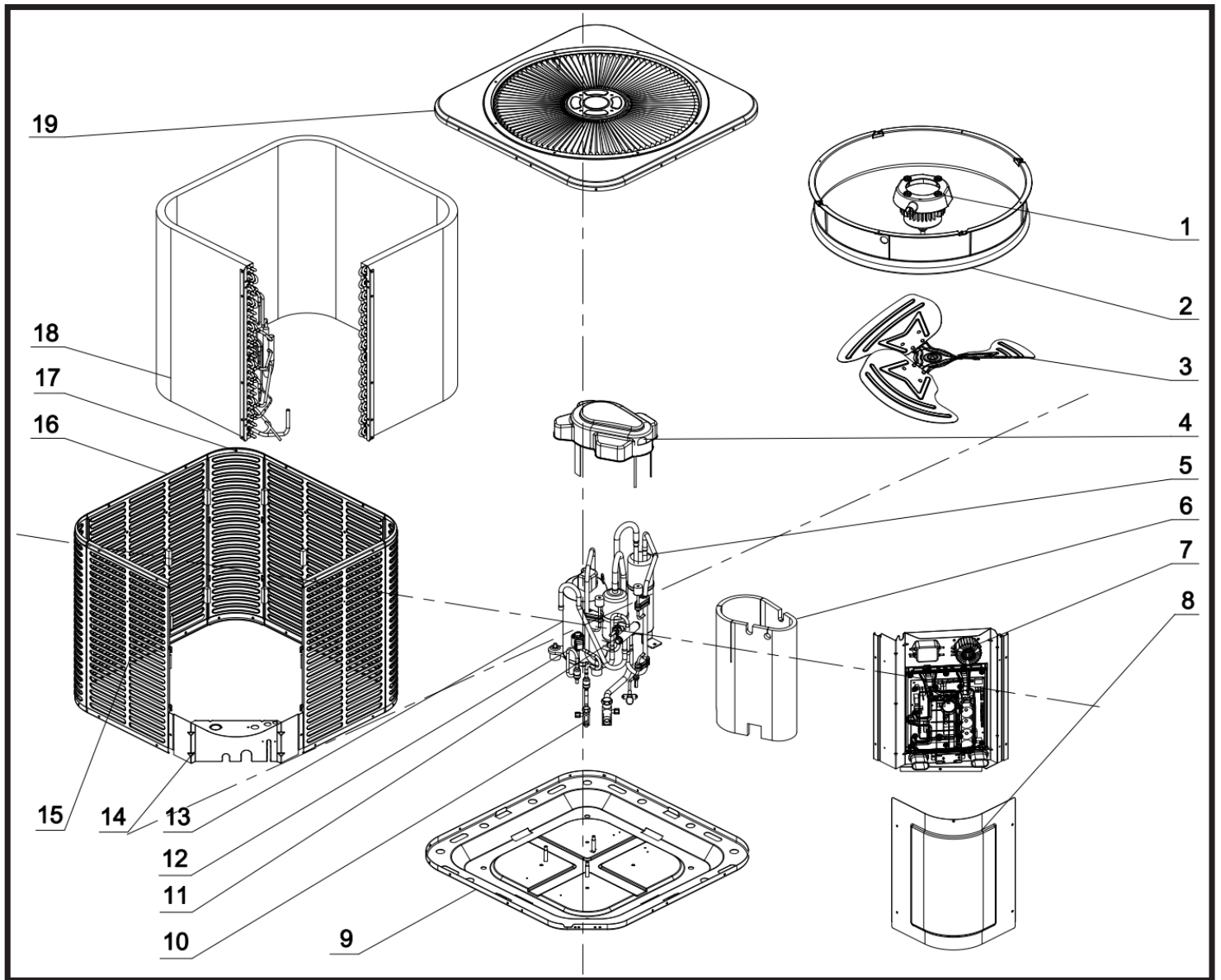
## HP19V24 Parts List



No.	Part No.	Part Name	Qty.
1	25001-000428	Motor	1
2	230700850	Diversion ring	1
3	45009-000057	Propeller fan	1
4	230701389	Weatherproof cover	1
5	92003-000182	Gas Liquid seperator	1
6	92012-000577	Sound insulation	1
7	31201-003297	Outdoor electrical system	1
8	43301-000072	electrical cover	1
9	41202-000662	Base	1
10	92007-021882	Globe valve assembly	1

No.	Part No.	Part Name	Qty.
11	/	Four-way valve module	1
12	92008-000344	EXV	1
13	95017-000031	Compressor	1
14	43301-000070	Valve supporter	1
15	41214-002094	Front pane1	1
16	41214-002095	Front pane 2	1
17	43301-000047	Supporter	1
18	92011-012249	Condenser	1
19	41207-000829	Top cover	1
0	231309516	Cabinet Carton	1

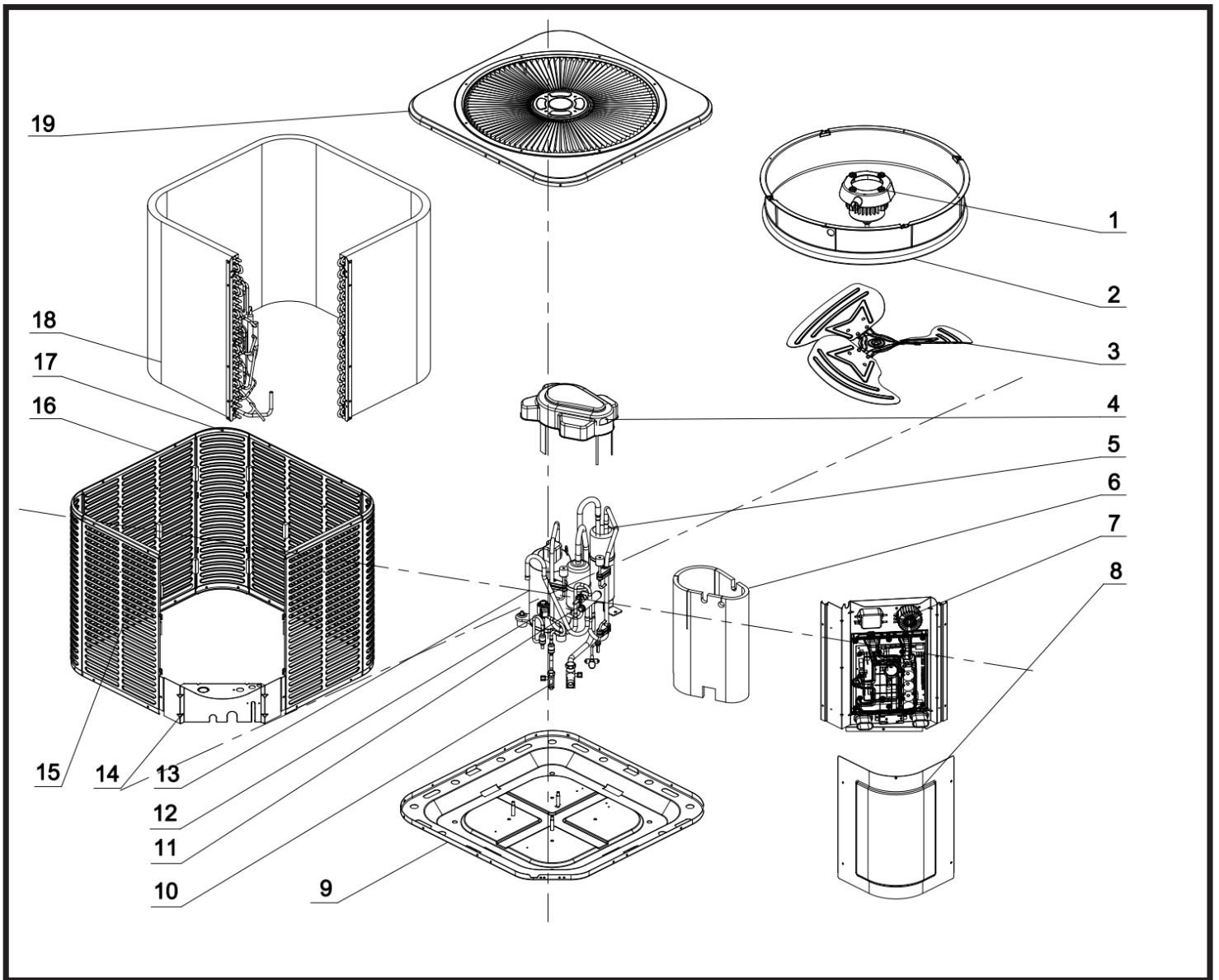
## HP19V36 Parts List



No.	Part No.	Part Name	Qty.
1	25001-000428	Motor	1
2	230700850	Diversion ring	1
3	45009-000057	Propeller fan	1
4	42011-000599	Waterproof cover	1
5	92003-000182	Gas Liquid seperator	1
6	92012-001135	Sound insulation	1
7	31201-003297	Outdoor electrical system	1
8	43301-000072	electrical cover	1
9	41202-000787	Base	1
10	92007-021882	Globe valve assembly	1

No.	Part No.	Part Name	Qty.
11	92007-022240	Four-way valve module	1
12	92008-000344	EXV	1
13	92014-001064	Compressor	1
14	43301-000070	Valve supporter	1
15	41214-002094	Front pane1	1
16	41214-002095	Front pane 2	1
17	43301-000047	Supporter	1
18	92011-012365	Condenser	1
19	41207-000829	Top cover	1
0	231309516	Cabinet Carton	1

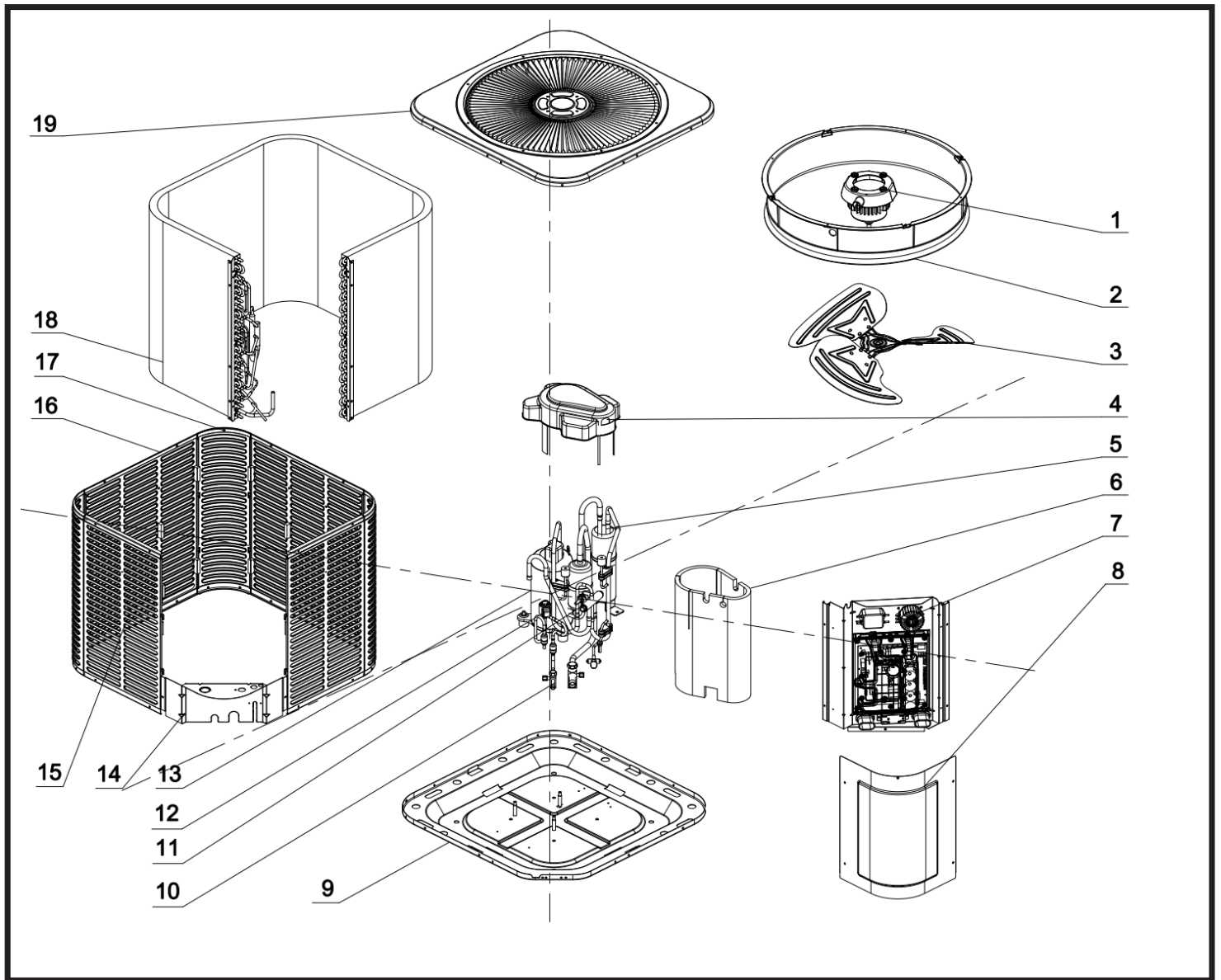
## HP19V48 Parts List



No.	Part No.	Part Name	Qty.
1	25001-000428	Motor	1
2	230700850	Diversion ring	1
3	45009-000057	Propeller fan	1
4	230701389	Weatherproof cover	1
5	92003-000183	Gas Liquid seperator	1
6	92012-000891	Sound insulation	1
7	31201-003241	Outdoor electrical system	1
8	43301-000075	electrical cover	1
9	41202-000789	Base	1
10	92007-022025	EXV	1

No.	Part No.	Part Name	Qty.
11	92007-022424	Four-way valve module	1
12	12410-100002	pression valve	1
13	92014-001123	Compressor	1
14	/	Valve supporter	1
15	/	Front pane1	1
16	/	Front pane 2	1
17	230801628	Supporter	1
18	/	Condenser	1
19	41207-000829	Top cover	1
20	231310286	Cabinet Carton	1

## HP19V60 Parts List



No.	Part No.	Part Name	Qty.
1	25001-000428	Motor	1
2	230700850	Diversion ring	1
3	45009-000057	Propeller fan	1
4	230701389	Weatherproof cover	1
5	92003-000183	Gas Liquid seperator	1
6	92012-000891	Sound insulation	1
7	31201-003241	Outdoor electrical system	1
8	43301-000075	electrical cover	1
9	41202-000789	Base	1
10	92007-022025	EXV	1

No.	Part No.	Part Name	Qty.
11	92007-022424	Four-way valve module	1
12	12410-100002	pression valve	1
13	92014-001123	Compressor	1
14	/	Valve supporter	1
15	/	Front pane1	1
16	/	Front pane 2	1
17	230801628	Supporter	1
18	/	Condenser	1
19	41207-000829	Top cover	1
20	231310286	Cabinet Carton	1

Due to ongoing product improvements, specifications and dimensions are subject to change and correction without notice or incurring obligations. Determining the application and suitability for use of any product is the responsibility of the installer. Additionally, the installer is responsible for verifying dimensional data on the actual product prior to beginning any installation preparations.

Incentive and rebate programs have precise requirements as to product performance and certification. All products meet applicable regulations in effect on date of manufacture; however, certifications are not necessarily granted for the life of a product. Therefore, it is the responsibility of the applicant to determine whether a specific model qualifies for these incentive/rebate programs.



1900 Wellworth Ave., Jackson, MI 49203 • Ph. 517-787-2100 • [www.marsdelivers.com](http://www.marsdelivers.com)

