

---

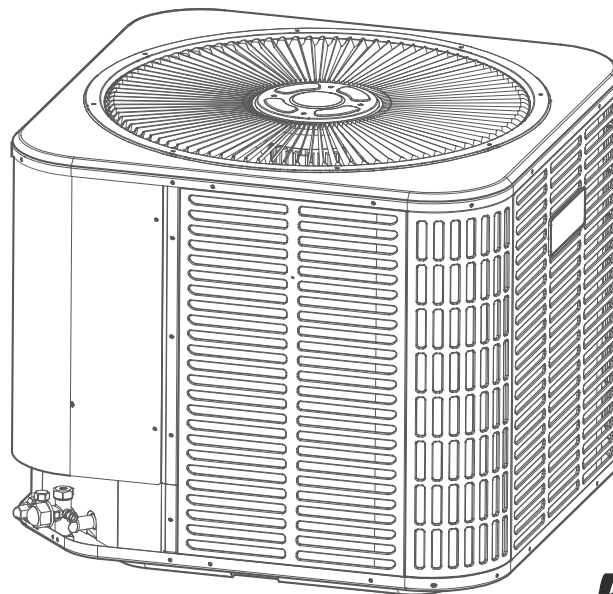
*Comfort-Cire*®

**Century**®

---

**High Efficiency Air Handler**  
HP19V Series  
Variable Speed Top Discharge  
Heat Pump Condensing Unit (R454B)

**Instruction Manual**



**MARS**®

## CONTENTS

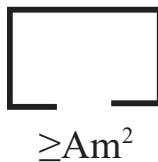
1. INSTRUCTION FOR SERVICING (R454B) .....	1
2. INSTALLATION PRECAUTIONS (R454B) .....	6
3. SAFETY PRECAUTIONS .....	12
4. UNIT LOCATION CONSIDERATIONS .....	15
5. REFRIGERANT LINE CONSIDERATIONS .....	18
6. REFRIGERANT LINE ROUTING .....	21
7. REFRIGERANT LINE BRAZING .....	22
8. SYSTEM LEAK CHECK .....	25
9. EVACUATION .....	25
10. SERVICE VALVES .....	26
11. ELECTRICAL - LOW VOLTAGE .....	27
12. ELECTRICAL - HIGH VOLTAGE .....	29
13. START-UP .....	30
14. SYSTEM OPERATION .....	31
15. TROUBLESHOOTING .....	34
16. WIRING DIAGRAM .....	36
17. DISPOSAL GUIDELINE .....	38
18. SUPPLEMENTARY STATEMENT .....	39

## 1. INSTRUCTION FOR SERVICING (R454B)

1. Check the information in this manual to find out the dimensions of space needed for proper installation of the device, including the minimum distances allowed compared to adjacent structures.
2. Appliance shall be installed, operated and stored in a room with a floor area larger than 4m .
3. The installation of pipe-work shall be kept to a minimum.
4. The pipe-work shall be protected from physical damage, and shall not be installed in an unventilated space if the space is smaller than 4m .
5. The compliance with national gas regulations shall be observed.
6. The mechanical connections shall be accessible for maintenance purposes.
7. Follow the instructions given in this manual for handling, installing, cleaning, maintaining and disposing of the refrigerant.
8. Make sure ventilation openings clear of obstruction.
9. Notice: The servicing shall be performed only as recommended by the manufacturer.
10. Warning: The appliance shall be stored in a well-ventilated area where the room size corresponds to the room area as specified for operation.
11. Warning: The appliance shall be stored in a room without continuously operating open flames (for example an operating gas appliance) and ignition sources (for example an operating electric heater).
12. The appliance shall be stored so as to prevent mechanical damage from occurring.
13. It is appropriate that anyone who is called upon to work on a refrigerant circuit should hold a valid and up-to-date certificate from an assessment authority accredited by the industry and recognizing their competence to handle refrigerants, in accordance with the assessment specification recognized in the industrial sector concerned. Service operations should only be carried out in accordance with the recommendations of the equipment manufacturer.  
Maintenance and repair operations that require the assistance of other qualified persons must be conducted under the supervision of the person competent for the use of flammable refrigerants.
14. Every working procedure that affects safety means shall only be carried out by competent persons.
15. Warning:
  - \* Do not use any means to accelerate the defrosting process or clean the frost on your own. Follow the recommended guidelines from the manufacturer.
  - \* The appliance shall be stored in a room without continuously operating ignition sources (for example: open flames, an operating gas appliance or an operating electric heater.
  - \* Do not pierce or burn.
  - \* Be aware that refrigerants may not contain an odor .



A2L



Read operator's manual



Operating instructions



Read technical manual

## 1. INSTRUCTION FOR SERVICING (R454B)

### 16. Information on servicing:

#### 1) Checks to the area

Prior to beginning work on systems containing flammable refrigerants, safety checks are necessary to ensure that the risk of ignition is minimized. For repair to the refrigerating system, the following precautions shall be complied with prior to conducting work on the system.

#### 2) Work procedure

Work shall be undertaken under a controlled procedure so as to minimize the risk of a flammable gas or vapor being present while the work is being performed.

#### 3) General work area

All maintenance staff and others working in the local area shall be instructed on the nature of work being carried out. Work in confined spaces shall be avoided. The area around the workspace shall be sectioned off. Ensure that the conditions within the area have been made safe by control of flammable material.

#### 4) Checking for presence of refrigerant

The area shall be checked with an appropriate refrigerant detector prior to and during work, to ensure the technician is aware of potentially flammable atmospheres. Ensure that the leak detection equipment being used is suitable for use with flammable refrigerants, i.e. non-sparking, adequately sealed or intrinsically safe.

#### 5) Presence of fire extinguisher

If any hot work is to be conducted on the refrigeration equipment or any associated parts, appropriate fire extinguishing equipment shall be available to hand. Have a dry powder or CO<sub>2</sub> fire extinguisher adjacent to the charging area.

#### 6) No ignition sources

No person carrying out work in relation to a refrigeration system which involves exposing any pipe work shall use any sources of ignition in such a manner that it may lead to the risk of fire or explosion. All possible ignition sources, including cigarette smoking, should be kept sufficiently far away from the site of installation, repairing, removing and disposal, during which refrigerant can possibly be released to the surrounding space. Prior to work taking place, the area around the equipment is to be surveyed to make sure that there are no flammable hazards or ignition risks. "No Smoking" signs shall be displayed.

#### 7) Ventilated area

Ensure that the area is in the open or that it is adequately ventilated before breaking into the system or conducting any work that will produce heat. A degree of ventilation shall continue during the period that the work is carried out.

The ventilation should safely disperse any released refrigerant and preferably expel it externally into the atmosphere.

#### 8) Checks to the refrigeration equipment

Where electrical components are being changed, they shall be fit for the purpose and to the correct specification. At all times the manufacturer's maintenance and service guidelines shall be followed.

If in doubt consult the manufacturer's technical department for assistance.

The following checks shall be applied to installations using flammable refrigerants:

- The charge size is in accordance with the room size within which the refrigerant containing parts are installed;
- The ventilation machinery and outlets are operating adequately and are not obstructed;
- If an indirect refrigerating circuit is being used, the secondary circuit shall be checked for the presence of refrigerant;
- Marking to the equipment continues to be visible and legible. Markings and signs that are illegible shall be corrected;
- Refrigeration pipe or components are installed in a position where they are unlikely to be exposed to any substance which may corrode refrigerant containing components, unless the components are constructed of materials which are inherently resistant to being corroded or are suitably protected against being so corroded.

# 1. INSTRUCTION FOR SERVICING (R454B)

## 9) Checks to electrical devices

Repair and maintenance to electrical components shall include initial safety checks and component inspection procedures. If a fault exists that could compromise safety, then no electrical supply shall be connected to the circuit until it is satisfactorily dealt with. If the fault cannot be corrected immediately but it is necessary to continue operation, an adequate temporary solution shall be used. This shall be reported to the owner of the equipment so all parties are advised.

Initial safety checks shall include:

- That capacitors are discharged: this shall be done in a safe manner to avoid possibility of sparking;
- That no live electrical components and wiring are exposed while charging, recovering or purging the system;
- That there is continuity of earth bonding.

## 17. Repairs to sealed components

- 1) During repairs to sealed components, all electrical supplies shall be disconnected from the equipment being worked upon prior to any removal of sealed covers, etc. If it is absolutely necessary to have an electrical supply to equipment during servicing, then a permanently operating form of leak detection shall be located at the most critical point to warn of a potentially hazardous situation.
- 2) Particular attention shall be paid to the following to ensure that by working on electrical components, the casing is not altered in such a way that the level of protection is affected. This shall include damage to cables, excessive number of connections, terminals not made to original specification, damage to seals, incorrect fitting of glands, etc. Ensure that apparatus is mounted securely. Ensure that seals or sealing materials have not degraded such that they no longer serve the purpose of preventing the ingress of flammable atmospheres. Replacement parts shall be in accordance with the manufacturer's specifications.

NOTE: The use of silicon sealant may inhibit the effectiveness of some types of leak detection equipment.

Intrinsically safe components do not have to be isolated prior to working on them.

## 18. Repair to intrinsically safe components

Do not apply any permanent inductive or capacitance loads to the circuit without ensuring that this will not exceed the permissible voltage and current permitted for the equipment in use.

Intrinsically safe components are the only types that can be worked on while live in the presence of a flammable atmosphere. The test apparatus shall be at the correct rating. Replace components only with parts specified by the manufacturer. Other parts may result in the ignition of refrigerant in the atmosphere from a leak.

## 19. Cabling

Check that cabling will not be subject to wear, corrosion, excessive pressure, vibration, sharp edges or any other adverse environmental effects. The check shall also take into account the effects of aging or continual vibration from sources such as compressors or fans.

## 20. Detection of flammable refrigerants

Under no circumstances shall potential sources of ignition be used in the searching for or detection of refrigerant leaks. A halide torch (or any other detector using a naked flame) shall not be used.

## 1. INSTRUCTION FOR SERVICING (R454B)

### 21. Leak detection methods

The following leak detection methods are deemed acceptable for systems containing flammable refrigerants. Electronic leak detectors shall be used to detect flammable refrigerants, but the sensitivity may not be adequate, or may need recalibration. (Detection equipment shall be calibrated in a refrigerant-free area.) Ensure that the detector is not a potential source of ignition and is suitable for the refrigerant used. Leak detection equipment shall be set at a percentage of the LFL of the : refrigerant and shall be calibrated to the refrigerant employed and the appropriate percentage of gas (25 % maximum) is confirmed. Leak detection fluids are suitable for use with most refrigerants but the use of detergents containing chlorine shall be avoided as the chlorine may react with the refrigerant and corrode the copper pipe-work. If a leak is suspected, all naked flames shall be removed/ extinguished. If a leakage of refrigerant is found which requires brazing, all of the refrigerant shall be recovered from the system, or isolated (by means of shut off valves) in a part of the system remote from the leak. Oxygen free nitrogen (OFN) shall then be purged through the system both before and during the brazing process.

### 22. Removal and evacuation

When breaking into the refrigerant circuit to make repairs-or for any other purpose-conventional procedures shall be used. However, for flammable refrigerants it is important that best practice be followed, since flammability is a consideration.

The following procedure shall be adhered to:

- safely remove refrigerant following local and national regulations;
- evacuate;
- purge the circuit with inert gas (optional for A2L);
- evacuate (optional for A2L);
- continuously flush or purge with inert gas when using flame to open circuit; and
- open the circuit.

The refrigerant charge shall be recovered into the correct recovery cylinders if venting is not allowed by local and national codes. For appliances containing flammable refrigerants, the system shall be purged with oxygen-free nitrogen to render the appliance safe for flammable refrigerants. This process might need to be repeated several times.

Compressed air or oxygen shall not be used for purging refrigerant systems.

For appliances containing flammable refrigerants, refrigerants purging shall be achieved by breaking the vacuum in the system with oxygen-free nitrogen and continuing to fill until the working pressure is achieved, then venting to atmosphere, and finally pulling down to a vacuum (optional for A2L). This process shall be repeated until no refrigerant is within the system (optional for A2L). When the final oxygen-free nitrogen charge is used, the system shall be vented down to atmospheric pressure to enable work to take place.

The outlet for the vacuum pump shall not be close to any potential ignition sources, and ventilation shall be available.

### 23. Decommissioning

Before carrying out this procedure, it is essential that the technician is completely familiar with the equipment and all its detail. It is recommended good practice that all refrigerants are recovered safely Prior to the task being carried out, an oil and refrigerant sample shall be taken in case analysis is required prior to re-use of reclaimed refrigerant. It is essential that electrical power is available before the task is commenced.

- a) Become familiar with the equipment and its operation.
- b) Isolate system electrically.
- c) Before attempting the procedure, ensure that:
  - mechanical handling equipment is available, if required, for handling refrigerant cylinders;
  - all personal protective equipment is available and being used correctly;

## 1. INSTRUCTION FOR SERVICING (R454B)

- . the recovery process is supervised at all times by a competent person;
- . recovery equipment and cylinders conform to the appropriate standards.

d) Pump down refrigerant system,if possible.

e) If a vacuum is not possible,make a manifold so that refrigerant can be removed from various parts of the system.

f)Make sure that cylinder is situated on the scales before recovery takes place.

g) Start the recovery machine and operate in accordance with manufacturer's instructions.

h) Do not overfill cylinders.(No more than 80% volume liquid charge).

i) Do not exceed the maximum working pressure of the cylinder,even temporarily.

J) When the cylinders have been filled correctly and the process completed,make sure that the cylinders and the equipment are removed from site promptly and all isolation valves on the equipment are closed off.

K)Recovered refrigerant shall not be charged into another refrigeration system unless it has been cleaned and checked.

### 24. Labeling

Equipment shall be labled stating that it has been de-commissioned and emptied of refrigerant. The label shall be dated and signed.Ensure that there are labels on the equipment stating the equipment contains flammable refrigerant.

### 25. Recovery

When removing refrigerant from a system,either for servicing or decommissioning,it isrecommended good practice that all refrigerants are removed safely.

When transfenring refrigerant into cylinders,ensure that only appropriate refrigerant recovery cylinders are employed.Ensure that the correct number of cylinders for holding the total system charge are available.All cylinders to be used are designated for the recovered refrigerant and labled for that refrigerant(i.e.Special cylinders for he recovery of refrigerant).Cylinders shall be complete with pressure-relief valve and associated shut-off valves in good working order.

Empty recovery cylinders are evacuated and,if possible,cooled before recovery occurs.

The recovery equipment shall be in good working order with a set of instructions concerning the equipment that is at hand and shall be suitable for the recovery of all appriate refrigerants included,when applicable, flammable refrigerants.In addition,a set of calibrated weighing scales shall be available and in good working order.Hoses shall be complete with leak free disconnect couplings and in good condition.Before using the recovery machine,check that it is in satisfactory working order,has been properly maintained and that any associated electrical components are sealed to prevent ignition in the event of a refrigerant release.Consult manufacturer if in doubt. The recovered refrigerant shall be returned to the refrigerant supplier in the correct recover cylinder,and the relevant waste transfer note arranged.Do not mix refrigerants in recovery units and especially not in cylinders.

If compressors or compressor oils are to be removed,ensure that they have been evacuated to an acceptable level to make certain that flammable refrigerant does not remain within the lubricant. The evacuation process shall be carried out prior to returning the compressor to the suppliers. Only electric heating to the compressor body shall be employed to accelerate this process. When oil is drained from a system,it shall be carried out safely.

### 26.Safety instructions for transportation and storage.

- 1.No fire source and smoking.
- 2.According to the local rules and laws.

## 2. INSTALLATION PRECAUTIONS (R454B)

### Important Considerations

1. The air conditioner must be installed by professional personnel and the Installation manual is used only for the professional installation personnel! The installation specifications should be subject to our after-sale service regulations.
2. When filling the combustible refrigerant, any of your rude operations may cause serious injury or injuries to human body and objects.
3. A leak test must be done after the installation completed.
4. It is a must to do the safety inspection before maintaining or repairing an air conditioner using combustible refrigerant in order to ensure that the fire risk is reduced to minimum.
5. It is necessary to operate the machine under a controlled procedure in order to ensure that any risk arising from the combustible gas or vapor during the operation is reduced to minimum.
6. Requirements for the total weight of filled refrigerant and the area of a room to be equipped with an air conditioner (are shown as in the following tables)

#### The maximum charge and the required minimum floor area

$$m_1 = (6\text{m}^3) \times \text{LFL}, m_2 = (52\text{m}^3) \times \text{LFL}, m_3 = (260\text{m}^3) \times \text{LFL}$$

Where LFL is the lower flammable limit in  $\text{kg}/\text{m}^3$ , R454B LFL is  $0.296\text{kg}/\text{m}^3$ .

For the appliances with a charge amount  $m_1 < M = m_2$ :

The maximum charge in a room shall be in accordance with the following:

$$m_{\max} = 0.5 \times \text{LFL} \times 2.2 \times A$$

The required minimum floor area A min to install an appliance with refrigerant charge M(kg)

shall be in accordance with following:  $q_{\min} = 30 \times m_c / \text{LFL}$

### Refrigerant Charge and Room Area Limitations

In UL/CSA 60335-2-40, R454B refrigerant is classified as class A2L, which is mildly flammable. Therefore, R454B refrigerant is suitable for systems needing additional refrigerant charge and which will limit the area of the rooms being served by the system. Similarly, the total amount of refrigerant in the system shall be less than or equal to the allowable maximum refrigerant charge. The allowable maximum refrigerant charge depends on the area of the rooms being served by the system.

#### **NOTE:**

The nouns in this section are explained as follows:

$M_c$ : The actual refrigerant charge in the system.

$A$ : the actual room area where the appliance is installed.

$A_{\min}$ : The required minimum room area.

$M_{\max}$ : The allowable maximum refrigerant charge in a room.

$Q_{\min}$ : The minimum circulation airflow.

$A_{\text{vmin}}$ : The minimum opening area for connected rooms.

$T A_{\min}$ : The total area of the conditioned space (For appliances serving one or more rooms with an air duct system).

$T A$ : The total area of the conditioned space connected by air ducts.

### 1. The room area calculation requirements

#### **CAUTION:**

The space considered shall be any space which contains refrigerant-containing parts or into which refrigerant could be released.

The room area (A) of the smallest, enclosed, occupied space shall be used in the determination of the refrigerant quantity limits.



## 2. INSTALLATION PRECAUTIONS (R454B)

For determination of room area (A) when used to calculate the refrigerant charge limit, the following shall apply. The room area (A) shall be defined as the room area enclosed by the projection to the base of the walls, partitions and doors of the space in which the appliance is installed.

Spaces connected by only drop ceilings, ductwork, or similar connections shall not be considered a single space. Units mounted higher than 70-55/64 inches and spaces divided by partition walls that are no higher than 62-63/64 inches shall be considered a single space.

Rooms on the same floor and connected by an open passageway between the spaces can be considered a single room when determining compliance to  $A_{min}$ , if the passageway complies with all of the following.

- 1) It is a permanent opening.
- 2) It extends to the floor.
- 3) It is intended for people to walk through.

The area of the connected rooms, on the same floor, connected by permanent opening in the walls and/or doors between occupied spaces, including gaps between the wall and the floor, can be considered a single room when determining compliance to  $A_{min}$ , provided all of the following conditions are met as Fig.2-1.

### 1) Low level opening

- ① The opening shall not be less than  $A_{nvm}$  in Table 2-1.
- ② The area of any openings above 11-13/16 inches from the floor shall not be considered in determining compliance with  $A_{nvm}$ .
- ③ At least 50% of the opening area of  $A_{nvm}$  shall be below 7-7/8 inches from the floor.
- ④ The bottom of the opening is not more than 3-15/16 inches from the floor.
- ⑤ The opening is a permanent opening that cannot be closed.
- ⑥ For openings extending to the floor the height shall not be less than 25/32 inches above the surface of the floor covering.

### 2) High level opening

- ① The opening shall not be less than 50% of  $A_{nvm}$  in Table 2-1.
- ② The opening is a permanent opening that cannot be closed.
- ③ The opening shall be at least 59 inches above the floor.
- ④ The height of the opening is not less than 25/32 inches.

### 3) Room size requirement

- ① The room into which refrigerant can leak, plus the connected adjacent room(s) shall have a total area not less than  $A_{min}$ .  $A_{min}$  is shown in Table 2-3.
- ② The room area in which the unit is installed shall be not less than 20%  $A_{min}$ .  $A_{min}$  is shown in Table 2-3.

#### NOTE:

The requirement for the second opening can be met by drop ceilings, ventilation ducts, or similar arrangements that provide an airflow path between the connected rooms.

The minimum opening for natural ventilation ( $A_{nvm}$ ) in connected rooms is related to the room area (A), the actual refrigerant charge of refrigerant in the system ( $M_c$ ), and the allowable MAXIMUM REFRIGERANT CHARGE in the system ( $M_{max}$ ),  $A_{nvm}$  can be determined according to Table 2-1.

## 2. INSTALLATION PRECAUTIONS (R454B)

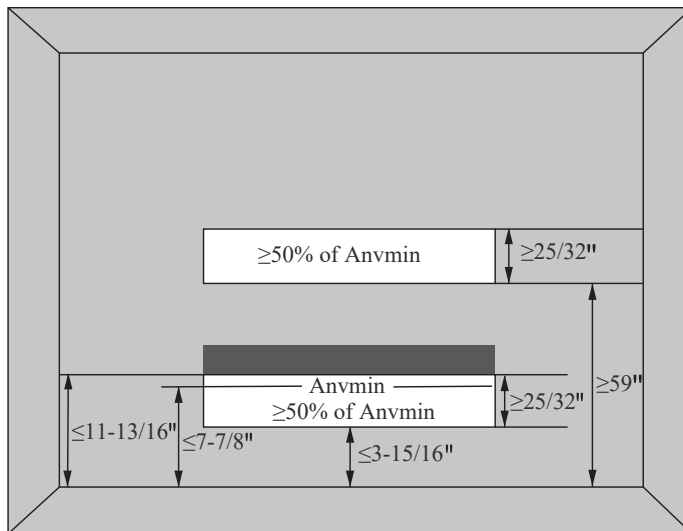


Fig.2-1 Opening Conditions for Connected Rooms

The minimum opening area for connected rooms

Table 2-1

A(ft <sup>2</sup> )	Mc(□lbs□oz)		Mmax(□lbs□oz)		Anvmin(ft <sup>2</sup> )
	lbs	oz	lbs	oz	
40	9	9	2	10	0.9
50	9	9	3	5	0.8
60	9	9	4	0	0.7
70	9	9	4	10	0.6
80	9	9	5	5	0.6
90	9	9	6	0	0.5
100	9	9	6	10	0.4
110	9	9	7	5	0.3
120	9	9	8	0	0.2
130	9	9	8	10	0.2
140	9	9	9	5	0.1
150	9	9	10	0	0.0
160	9	9	10	10	0.0

Note: Take the Mc=17 lbs 3 oz as an example.

For appliances serving one or more rooms with an air duct system, The room area calculation shall be determined based on the total area of the conditioned space(TA) connected by ducts taking into consideration that the circulating airflow distributed to all the rooms by the appliance integral indoor fan will mix and dilute the leaking refrigerant before entering any room.

### 2. The allowed maximum refrigerant charge and required minimum room area

If the fan incorporated to an appliance is continuously operated or operation is initiated by a REFRIGERANT DETECTION SYSTEM with a sufficient CIRCULATION AIRFLOW rate, the allowable maximum refrigerant charge (Mmax) and the required minimum room area(Amin/TAmin) is shown in Table 2-2 and Table 2-3.

## 2. INSTALLATION PRECAUTIONS (R454B)

The allowable maximum refrigerant charge

Table 2-2

A/TA(ft <sup>2</sup> )	Mmax(□lbs□oz)		A/TA(ft <sup>2</sup> )	Mmax(□lbs□oz)	
	lbs	oz		lbs	oz
40	2	10	160	10	10
50	3	5	170	11	5
60	4	0	180	12	0
70	4	10	190	12	10
80	5	5	200	13	5
90	6	0	210	14	0
100	6	10	220	14	10
110	7	5	230	15	5
120	8	0	240	16	0
130	8	10	250	16	10
140	9	5	260	17	5
150	10	0			

The required minimum room area

Table 2-3

Mc(□lbs□oz)		Amin/Tamin(ft <sup>2</sup> )	Mc(□lbs□oz)		Amin/Tamin(ft <sup>2</sup> )
lbs	oz		lbs	oz	
4	6	66.1	11	0	165.3
4	13	72.7	11	7	171.9
5	4	79.3	11	14	178.5
5	11	86.0	12	5	185.1
6	2	92.6	12	12	191.7
6	9	99.2	13	3	198.4
7	0	105.8	13	10	205.0
7	7	112.4	14	1	211.6
7	15	119.0	14	8	218.2
8	6	125.6	14	15	224.8
8	13	132.2	15	6	231.4
9	4	138.8	15	14	238.0
9	11	145.5	16	5	244.6
10	2	152.1	16	12	251.2
10	9	158.7	17	3	257.9

## 2. INSTALLATION PRECAUTIONS (R454B)

The minimum circulation airflow

Table 2-4

Mc(□lbs□oz)		Qmin(CFM)	Mc(□lbs□oz)		Qmin(CFM)
lbs	oz		lbs	oz	
4	6	119	11	0	298
4	13	131	11	7	310
5	4	143	11	14	322
5	11	155	12	5	334
6	2	167	12	12	346
6	9	179	13	3	358
7	0	191	13	10	370
7	7	203	14	1	382
7	15	215	14	8	394
8	6	227	14	15	405
8	13	239	15	6	418
9	4	251	15	14	430
9	11	263	16	5	442
10	2	275	16	12	454
10	9	287	17	3	466

**CAUTION:**

The allowable maximum refrigerant charge of the Table 2-2 or the required minimum room area of the Table 2-3 is available only if the following conditions are met:  
 Minimum velocity of 3.28ft/s, which is calculated as the indoor unit airflow divided by the nominal face area of the outlet. And the grill area shall not be deducted.  
 Minimum airflow rate must meet the corresponding values in Table 2-4, which is related to the actual refrigerant charge of the system (Mc).  
 R454B refrigerant leakage sensor is configured.

**NOTE :**

The maximum refrigerant limit described above applies to unventilated areas. If adding additional measures, such as areas with mechanical ventilation or natural ventilation, The maximum refrigerant charge can be increased or the minimum room area can be reduced.  
 R454B refrigerant leakage sensor is configured for the indoor unit, meets the incorporated circulation airflow requirements, the maximum refrigerant charge or minimum room area can be determined according to Table 2-2 or Table 2-3.

**CAUTION:**

If the actual room area, air outlet height, and refrigerant charge amount are not reflected in the above table. more severe cases need to be considered according to the data in the table 2-1, 2-2, 2-3, 2-4.

Installation Safety Principles

1. Site Safety



Open Flames Prohibited



Ventilation Necessary

2. operation safety



Mind Static Electricity



Must wear protective clothing and anti-static gloves



Don't use mobile phone

## 2. INSTALLATION PRECAUTIONS (R454B)

### 3. Installation Safety

- Refrigerant Leak Detector
- Appropriate Installation Location





















The left picture is the schematic diagram of a refrigerant leak detector.

Please note that:

1. The installation site should be well-ventilated.
2. The sites for installing and maintaining an air conditioner using Refrigerant R454B should be free from open fire or welding, smoking, drying oven or any other heat source higher than 548 which easily produces open fire.
3. When installing an air conditioner, it is necessary to take appropriate anti-static measures such as wear anti-static clothing and/or gloves.
4. It is necessary to choose the site convenient for installation or maintenance wherein the air inlets and outlets of the indoor and outdoor units should be not surrounded by obstacles or close to any heat source or combustible and/or explosive environment.
5. If the indoor unit suffers refrigerant leak during the installation, it is necessary to immediately turn off the valve of the outdoor unit and all the personnel should go out till the refrigerant leaks completely for 15 minutes. If the product is damaged, it is a must to carry such damaged product back to the maintenance station and it is prohibited to weld the refrigerant pipe or conduct other operations on the user's site.
6. It is necessary to choose the place where the inlet and outlet air of the indoor unit is even.
7. It is necessary to avoid the places where there are other electrical products, power switch plugs and sockets, kitchen cabinet, bed, sofa and other valuables right under the lines on two sides of the indoor unit.

#### Suggested Tools

Tool	Picture	Tool	Picture	Tool	Picture
Standard Wrench		Pipe Cutter		Vacuum Pump	
Adjustable/ Crescent Wrench		Screw drivers (Phillips & Flat blade)		Safety Glasses	
Torque Wrench		Manifold and Gauges		Anti-static Gloves	
Hex Keys or Allen Wrenches		Level		Refrigerant Scale	
Drill & Drill Bits		Flaring tool		Micron Gauge	
Hole Saw		Clamp on Amp Meter		Welding Gun	

#### Dedicated Distribution Device and Wire for Air Conditioner

Min. Circuit Ampacity of Air Conditioner (A)	Minimum Wire Cross-sectional Area(mm <sup>2</sup> )	Specification of Socket or Switch (A)	Fuse Specification (A)
≤ 8	0.75	15	15
>8 and ≤ 10	1.0	15	15
> 10 and ≤ 15	1.5	20	25
> 15 and ≤ 24	2.5	25	40
> 24 and ≤ 28	4.0	35	45
> 28 and ≤ 32	6.0	40	55

Note: This table is only for reference, the installation shall meet the requirements of local laws and regulations.

## 3. SAFETY PRECAUTIONS

### SAFETY RULES AND RECOMMENDATIONS FOR THE INSTALLER

1. Read this guide before installing and using the appliance.
2. During the installation of the indoor and outdoor units, access to the working area should be forbidden to children. Unforeseeable accidents could happen.
3. Make sure that the base of the outdoor unit is firmly fixed.
4. Check that air cannot enter the refrigerant system and check for refrigerant leaks when turn on the air conditioner.
5. Carry out a test cycle after installing the air conditioner and record the operating data.
6. Protect the unit with a fuse of suitable capacity for the maximum input current or with another overload protection device.
7. Ensure that the mains voltage corresponds to that stamped on the rating plate. Keep the switch or power plug clean. Insert the power plug correctly and firmly into the socket, there by avoiding the risk of electric shock or fire due to insufficient contact.
8. Check that the socket is suitable for the plug , otherwise have the socket changed.
9. The appliance must be equipped with devices capable of disconnection from the mains power supply, have a contact separation in all poles to provide full disconnection under "over voltage category III conditions", these devices must also be incorporated into the fixed wiring in accordance with the wiring rules.
10. The air conditioner must be installed by professional or qualified persons. Do not try to install the conditioner alone, always contact specialized technical personnel.
11. Do not install the appliance at a distance of less than 50 cm from inflammable substances (alcohol, etc.) Or from pressurized containers (e.g. spray cans).
12. If the appliance is used in areas without the possibility of ventilation, precautions must be taken to prevent any leaks of refrigerant gas from remaining in the environment and creating a danger of fire.
13. The packaging materials are recyclable and should be disposed of in the separate waste bins. Take the air conditioner at the end of its useful life to a special waste collection center for disposal.
14. Only use the air conditioner as instructed in this booklet. These instructions are not intended to cover every possible condition and situaion. As with any electrical household appliance, common sense and caucion are therefore always recommended for installation, operation and maintenance.
15. The appliance must be installed in accordance with applicable national regulaions.
16. Before accessing the terminals, all the power circuits must be disconnected from the power supply.
17. This appliance can be used by children aged from 8 years and above and persons with reduced physical, sensory or mental capabilities or lack of experience and knowledge if they have been given supervision or instruction concerning use of the appliance in a safe way and under stand the hazards involved. Children shall not play with the appliance. Cleaning and user maintenance shall not be made by children without supervision.
18. Cleaning and maintenance must be carried out by specialized technical personnel. In any case disconnect the appliance from the mains electricity supply before carrying out any cleaning or maintenance.
19. Do not pull out the plug to switch off the appliance when it is in operation, since this could create a spark and cause a fire, etc.
20. This appliance has been made for air conditioning domestic environments and must not be used for any other purpose, such fas for drying clothes, cooling food, etc.
21. Always use the appliance with the air filter mounted. Airconditioning without air filter could cause an excessive accumulation of dust and/or lead inner parts function failure.
22. The user is responsible for having the appliance installed by a qualified technician, who must check that earthing/grounding is done in accordance with current legislation and insert a thermos magnetic circuit breaker.
23. The batteries in the remote controller must be recycled or disposed of properly. For disposal of scrap batteries, please discard the batteries as sorted municipal waste at the accessible collection point.

### 3. SAFETY PRECAUTIONS

24. **N**ever remain directly exposed to the flow of cold air for a long time. The direct and prolonged exposition to cold air could be dangerous for your health. Particular care should be taken in the rooms where there are children, old or sick people.
25. **I**f the appliance gives off smoke or there is a smell of burning, immediately cut off the power supply and contact the Service Center. The prolonged use of the device in such conditions could cause fire or electrocution.
36. **H**ave repairs carried out only by an authorised Service Center of the manufacturer. Incorrect repair could expose the user to the risk of electric shock, etc.
27. **U**nhook the automatic switch if you foresee not to use the device for a long time. The airflow direction must be properly adjusted.
28. **T**he flaps must be directed downwards in the heating mode and upwards in the cooling mode.
29. **E**nsure that the appliance is disconnected from the power supply when it intends to keep inoperative for a long period and before carrying out any cleaning or maintenance.
30. **S**electing the most suitable temperature can prevent damage to the appliance.

## 3. SAFETY PRECAUTIONS

### SAFETY RULES AND RECOMMENDATIONS FOR THE INSTALLER

1. Do not bend, tug or compress the power cord since this could damage it. Electrical shocks or fire are probably due to a damaged power cord. Specialized technical personnel only is recommended to replace a damaged power cord.
2. Do not use extensions or gang modules.
3. Do not touch the appliance when barefoot or parts of the body are wet or damp.
4. Do not obstruct the air inlet or outlet of the indoor or the outdoor unit. The obstruction of these openings causes a reduction in the operative efficiency of the conditioner with possible consequent failures or damages.
5. In no way alter the characteristics of the appliance.
6. Do not install the appliance in environments where the air could contain flammable gas, oil or sulphur or near sources of heat.
7. This appliance is not intended for use by persons (including children ) with reduced physical, sensory or mental capabilities, or lack of experience and knowledge, unless they have been given supervision or instruction concerning use of the appliance by a person responsible for their safety .
8. Do not climb onto or place any heavy or hot objects on top of the appliance.
9. Do not leave windows or doors open for long when the air conditioner is operating.
10. Do not direct the airflow onto plants or animals.
11. Along direct exposition to the flow of cold air of the conditioner could have negative effects on plants and animals.
12. Do not put the conditioner in contact with water. The electrical insulation could be damaged and thus causing electrocution.
13. Do not climb onto or place any objects on the outdoor unit.
14. Never insert a stick or similar object into the appliance. It could cause injury.
15. Children should be supervised to ensure that they do not play with the appliance. If the supply cord is damaged, it must be replaced by the manufacturer, its service agent or similarly qualified persons in order to avoid a hazard.
16. This unit is equipped with a refrigerant leak detector for safety. To be effective, the unit must be electrically powered at all times after installation, other than when servicing.
17. This refrigerant sensor is only replaced with a manufacturer approved sensor. If the sensor is replaced only as part of the component assembly, the component should be labeled.
18. The appliance shall be installed according to the manufacturer's instructions, and the ventilation pipe shall not exceed the maximum length and number of turns specified by the manufacturer.
19. Appliances shall be installed according to the instructions. Appliances that can be installed in different locations should be tested in all locations permitted by the manufacturer. The intake or exhaust openings should not be covered and the manufacturer's recommended air filter should be installed according to the instructions.
20. Leak detection system installed. Unit must be powered except for service.
21. Avertissement: Avant d'accéder aux bornes de raccordement, tous les circuits d'alimentation doivent être déconnectés.



# 4. UNIT LOCATION CONSIDERATIONS

## 4.1 Inspect Units

Units are packaged for shipment to avoid damage during normal transit and handling. It is the receiving party's responsibility to inspect the equipment upon arrival. Any obvious damage to the carton box should be reported on the bill of lading and a claim should be filed with the transportation company, and the factory should be noticed.

All units should be stored in the factory shipping carton with internal packaging in a dry place until installation. Carefully remove the packaging and inspect for hidden damage. Any hidden damage should be recorded and the factory should be notified. The gauge port can be used to check the refrigerant charge has been retained during shipment.

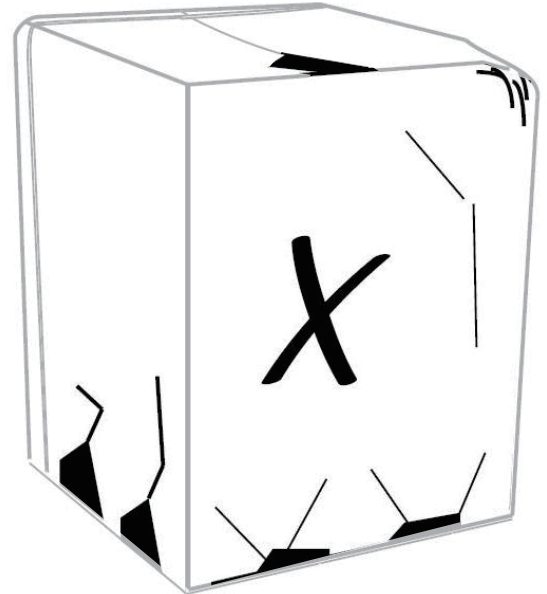


Fig 4-1 Check damage

## 4.2 Unit Dimensions

Two models sharing the same chassis are suit for most residential air conditioner and heat pump applications. When mounting the condensing unit on a roof or pad, be sure its dimension no less than 29" x 29".

Table 4-1 Condensing unit dimensions

Unit Dimensions	
Model	H×W×D(Inches)
HP19V24	24-15/16×29-1/8×29-1/8
HP19V36	24-15/16×29-1/8×29-1/8
HP19V48	33-3/16×29-1/8×29-1/8
HP19V60	33-3/16×29-1/8×29-1/8

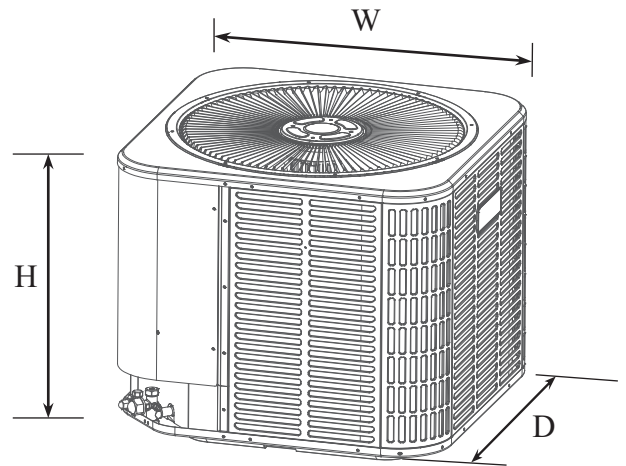


Fig 4-2 External dimensions

# 4. UNIT LOCATION CONSIDERATIONS

## 4.3 Location Restrictions

Exposure to a corrosive environment may shorten the life of the equipment, corrode metal parts, and/or negatively affect unit performance. Corrosive elements include, but not limited to: sodium chloride, sodium hydroxide, sodium sulfate, and other compounds commonly found in ocean water, sulfur, chlorine, fluorine, fertilizers, and various chemical contaminants from industry/manufacturing plants. If installed in areas which may be exposed to corrosive environments, special attention should be given to the equipment placement and maintenance.

- Lawn sprinklers/waste water should not spray directly on the unit cabinet for prolonged periods.
- In coastal areas: locate the unit on the side of the building away from the waterfront.

### Installation Clearance Requirement

Ensure the top discharge area is unrestricted for at least 60 inches above the unit.

Do not locate condensing unit near bedrooms because normal operational sounds may be annoying. Position unit to allow adequate space for unobstructed airflow, wiring, refrigerant lines, and serviceability.

Allow a minimum of 12 in. clearance on one side of access panel to a wall and a minimum of 24 in. on the adjacent side of access panel. Maintain a distance of 24 in. between units.

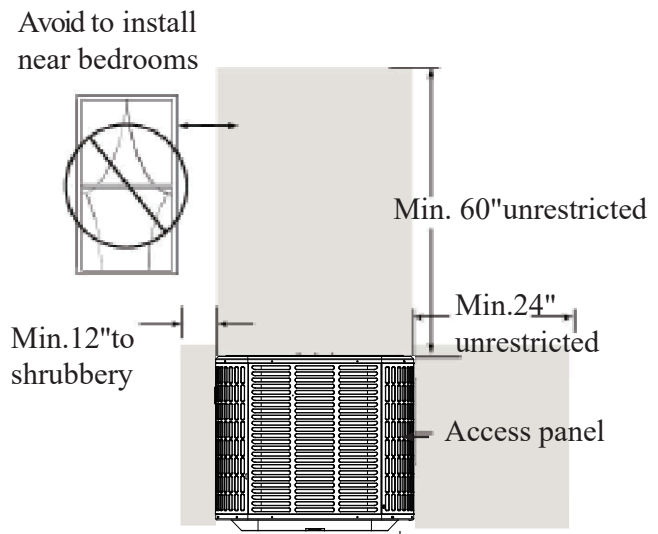


Fig 4-3 Clearance requirement

Position unit as water, snow, or ice from roof or overhang cannot fall directly on unit.

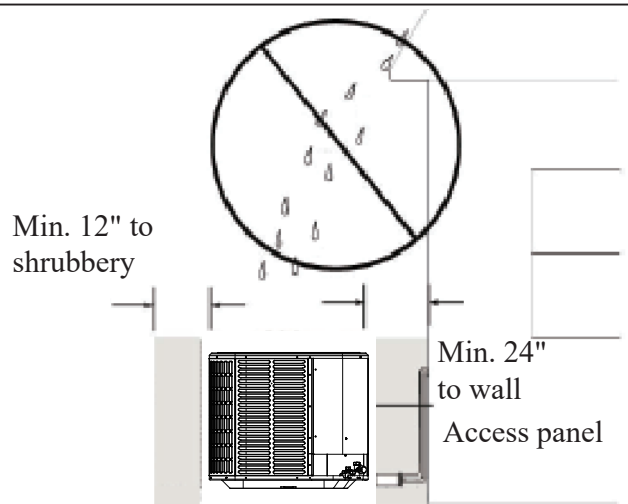


Fig 4-4 Unit location

## 4. UNIT LOCATION CONSIDERATIONS

### Cold Climate Considerations

Precautions must be taken for units being installed in areas where snow accumulation and prolonged below-freezing temperatures occur.

Elevate unit per local climate and code requirements.

This additional height will allow drainage of snow and ice melted during defrost cycle to flow out smoothly prior to its refreezing.

A snow drift barrier should be installed around the unit to prevent a build-up of snow on the unit sides.

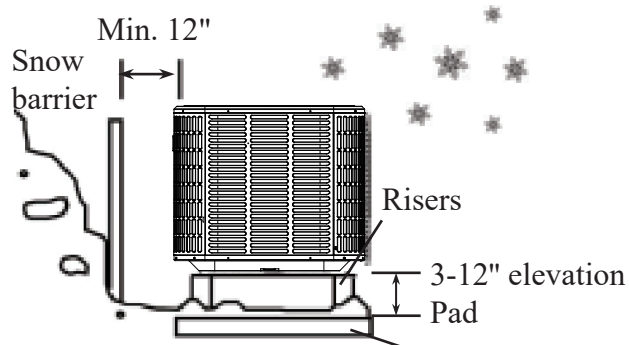


Fig 4-5 Consideration to prevent refreezing

### 4.4. Position The Unit

When mounting the unit on a roof, be sure the roof will support the unit's weight obtained from nameplate. Properly selected isolation is recommended to prevent sound or vibration transmission to the building structure.

# 5. REFRIGERANT LINE CONSIDERATION

## 5.1 Refrigerant Line Limits

Use only the line sizes indicated in below table and determine required line length. If the suction line sets are greater than 50 feet, do not use a larger suction line than recommended.

Table 5-1 Line sizes and maximum length

Capacity Model	Liquid Line	Suction Line	Total Equivalent Length (ft)				
			25	50	75	100	164
	Dimensions in inches		Maximum Elevation Difference(ft)				
HP19V24	3/8 Std.	3/4 Std.	25	50	45	40	/
HP19V36	3/8 Std.	3/4 Std.	25	50	50	40	/
HP19V48	3/8 Std.	7/8 Std.	25	50	50	40	35
HP19V60	3/8 Std.	7/8 Std.	25	50	50	40	35

Std.: Standard line size.

• Maximum line length = \_\_\_ feet.      • Maximum elevation difference = \_\_\_ feet.

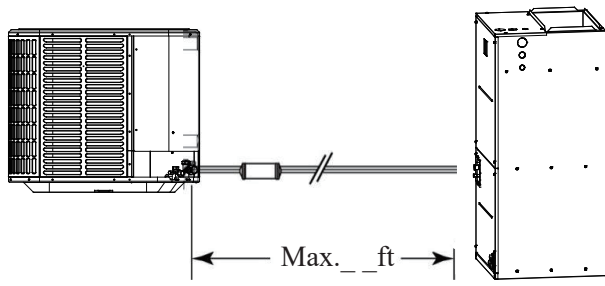


Fig 5-1 Line length limit

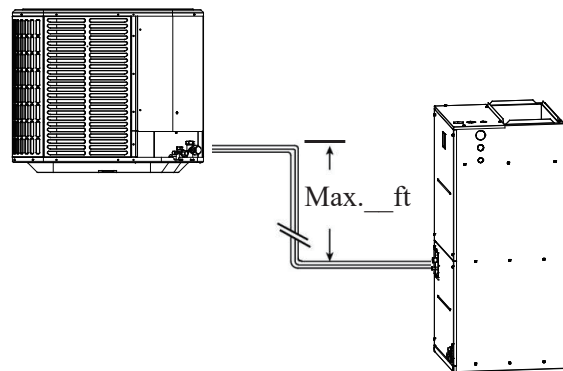
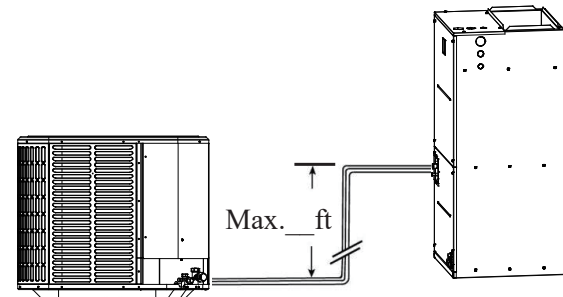
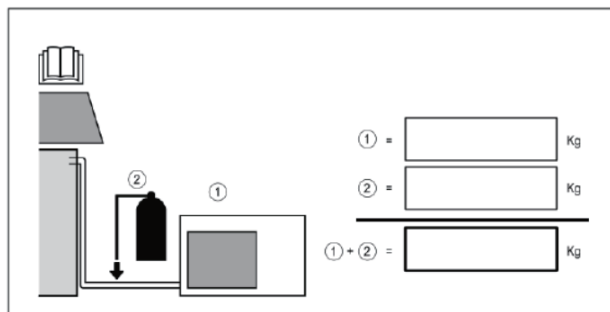


Fig 5-2 Elevation difference limit

# 5. REFRIGERANT LINE CONSIDERATION

## Refrigerant Charge



①=precharged part(See the nameplate above)  
 ②=added during installation(See the manual)  
 ①+②= Total Amount

## Pipe Length and Additional Refrigerant

Model	HP19V24	HP19V36	HP19V48	HP19V60
Length of pipe with standard charge(ft)	25	25	25	25
Refrigerant capacity of standard charge(lbs)	4.74	6.28	8.82	8.82
The longest pipe length(ft)	100	100	165	165
Additional refrigerant charge(lbs/ft)	0.0335	0.0335	0.0335	0.0335
Max. diff. in level between indoor and outdoor unit(ft)	50	50	50	50

For example, for a 36K model, when the pipe is 100ft, the additional refrigerant charging is  $(100-25) \times 0.0335 = 2.51$  lbs, and the refrigerant capacity of the whole model is  $6.28+2.51=8.79$  lbs.

## Total Refrigerant Capacity(lb)

Model	Category	LFL(lbs/ft <sup>3</sup> )	h0(ft)	Pipe Length(ft)				
				25	49	66	98	164
HP19V24	R454B	0.0185	7.2	4.74	5.57	6.12	7.22	/
HP19V36				6.28	7.11	7.66	8.76	/
HP19V48				8.82	9.65	10.2	11.3	13.5
HP19V60				8.82	9.65	10.2	11.3	13.5

## Minimum Room Area(ft<sup>2</sup>)

Model	Category	LFL(lbs/ft <sup>3</sup> )	h0(ft)	Pipe Length(ft)				
				25	49	66	98	164
HP19V24	R454B	0.0185	7.2	71.0	26.0	28.0	33.0	/
HP19V36				95.0	32.0	35.0	40.0	/
HP19V48				40.0	44.0	47.0	52.0	62.0
HP19V60				40.0	44.0	47.0	52.0	62.0

## 5. REFRIGERANT LINE CONSIDERATION

### 5.2 Refrigerant Line Insulation

The suction line must always be insulated.  
DO NOT allow the suction line and liquid line to come in direct(metal to metal)contact.

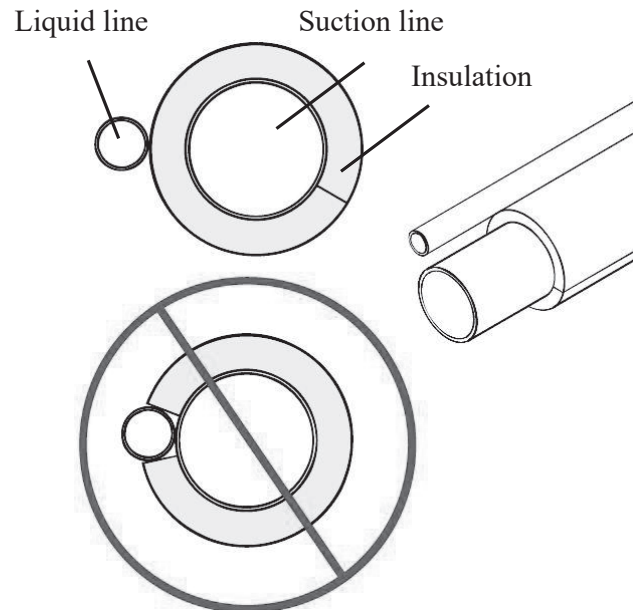


Fig 5-3 Line insulation

### 5.3 Reuse Existing Refrigerant Lines

#### ⚠ CAUTION

If using existing refrigerant lines, make sure that all joints are brazed, not soldered.

For retrofit applications where the existing refrigerant lines will be used, the following precautions should be taken:

- Ensure that the refrigerant lines are the correct size according to Table 4-1. It's not recommended to use suction line bigger than standard size, in which will result poor oil return for inverter compressor.

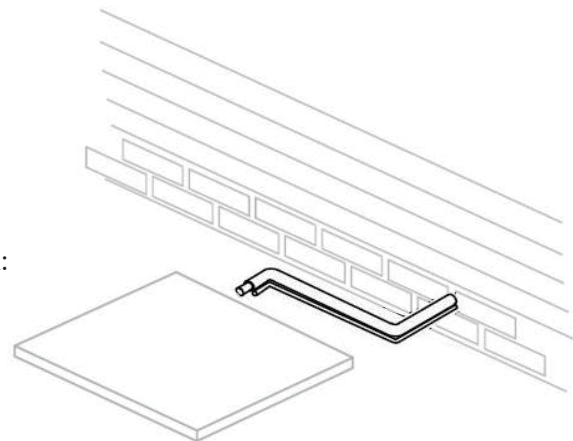


Fig 5-4 Use existing refrigerant lines

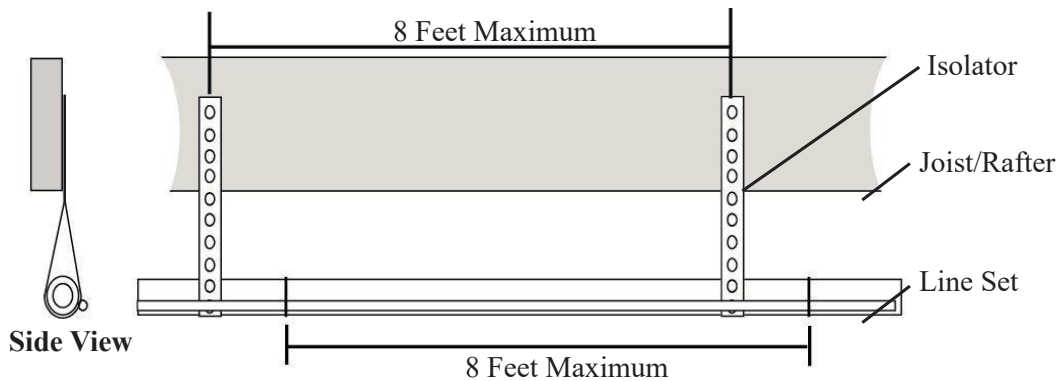
#### IMPORTANT:

The manufacturer recommends installing only approved matched indoor and outdoor systems. All of the manufacturer's split systems are AHR1 rated with TXV indoor units. Some of the benefits of installing approved matched indoor and outdoor split systems are maximum efficiency, optimum performance and the best overall system reliability.

## 6. REFRIGERANT LINE ROUTING

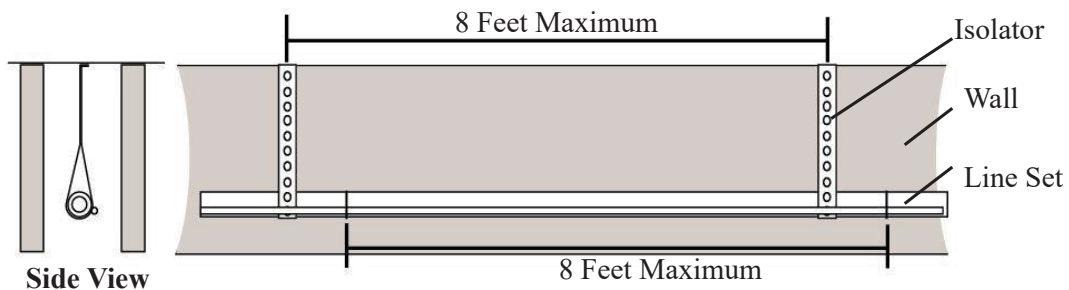
Comply with National, State, and Local Codes when isolating line sets from joists, rafters, walls, or other structural elements. Take precautions to prevent noise within the building structure due to vibration transmission from the refrigerant lines. For Example:

- Use isolation type hangers when the refrigerant lines have to be fastened to floor joists or other framing.
- Isolation hangers should also be used when refrigerant lines traverse stud spaces or enclosed ceilings.
- Where the refrigerant lines pass through a wall or sill, it should be insulated and isolated.
- Isolate the lines from all ductwork.
- Minimize the number of 90° turns.



Secure suction line from joists using isolators every 8 ft. Secure liquid line directly to insulated suction line using tape, wire, or other appropriate method every 8 ft.

Fig 6-1 Isolation from Joist/Rafter



Secure suction line using isolators every 8 ft. Secure liquid line directly to insulated suction line using tape, wire, or other appropriate method every 8 ft.

Fig 6-2 Isolation in wall spaces

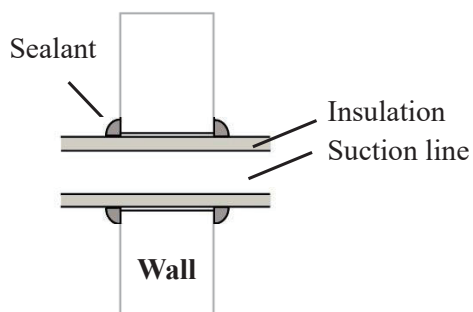


Fig 6-3 Isolation through wall

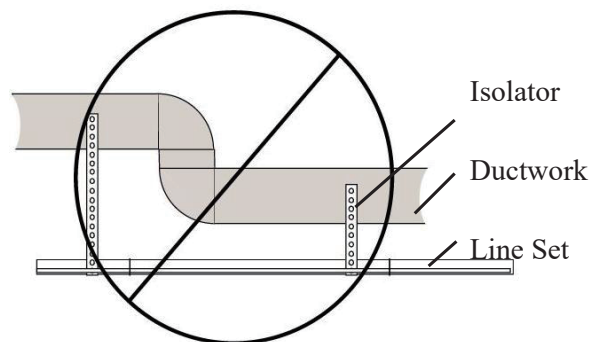


Fig 6-4 DO NOT hang line sets from ductwork

## 7. REFRIGERANT LINE BRAZING

**CAUTION**

- Do not install the connecting pipe until both indoor and outdoor units have been installed. Insulate both the gas and liquid piping to prevent water leakage.
- Be extra careful not to damage, dent, or deform the pipe while cutting. This will drastically reduce the heating efficiency of the unit.

### 7.1 Cut Pipes

When preparing refrigerant pipes, take extra care to cut and flare them properly. This will ensure efficient operation and minimize the need for future maintenance.

1. Use the piping kit accessory or the pipes purchased locally.
2. Measure the distance between the indoor and the outdoor unit.
3. Cut the pipes a little longer than measured distance.

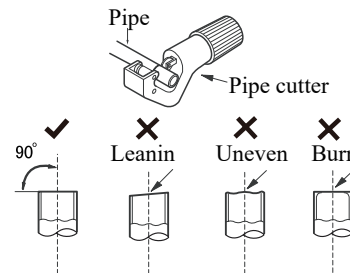


Fig 7-1 Cut pipes

### 7.2 Remove Burrs

Burrs can affect the air-tight seal of refrigerant piping connection. They must be completely removed.

1. Completely remove all burrs from the cut cross section of pipe/tube.
2. Put the end of the copper tube/pipe in a down ward direction as you remove burrs in order to avoid dropping burrs into the tubing.

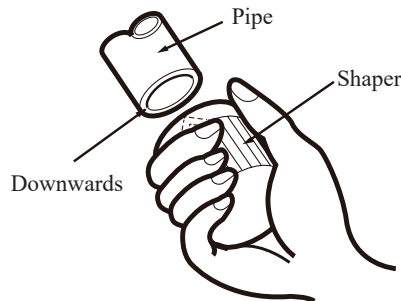


Fig 7-2 Remove burrs

### 7.3 Flaring Work

Carry out flaring work using flaring tool as shown below.

Table 7-1 Flaring work dimension :

Outside diameter	A
Inch	Inch
3/8"	0.03"~0.04"
3/4"	0.02"~0.03"
7/8"	0.02"~0.03"

Firmly hold copper pipe in a die in the dimension shown in the table above.



# 7. REFRIGERANT LINE BRAZING

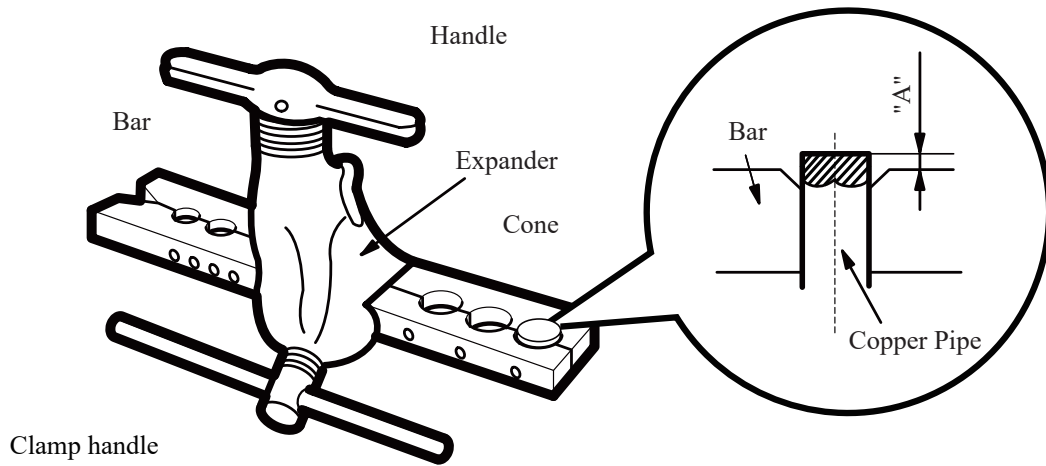


Fig 7-3 Flaring work

## 7.4 Check

1. Compare the flared work with figure below.
2. If flare is noted to be defective, cut off the flared section and do flaring work again.

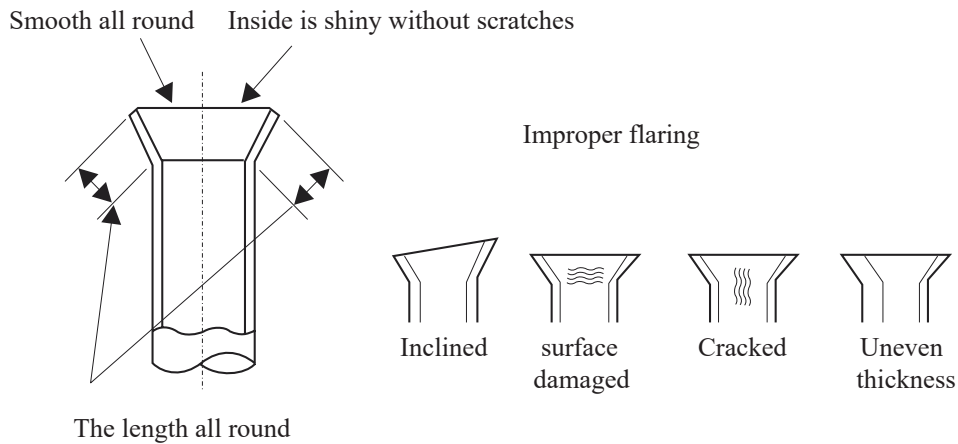


Fig 7-4 Check pipe

NOTE: Connect the copper pipes to the indoor unit first, then connect it to the outdoor unit.

## 7. REFRIGERANT LINE BRAZING

### 7.5 Pipe Connection

You should first connect the low-pressure pipe, then the high-pressure pipe.

1. Align the center of the two pipes that you will connect.
2. Tighten the flare nut as tightly as possible by hand.
3. Using a wrench, grip the nut on the unit tubing.

NOTE: Use two wrench to connect the pipe with indoor/outdoor pipes to avoid the copper pipe cracking.

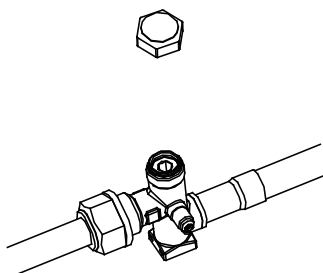


Fig 7-5 Pipe connection

4. While firmly gripping the nut, use a torque wrench to tighten the flare nut according to the torque values.

Table 7-2 Torque Values

Connecting Pipe Size	Torque Values (lbf*in)
3/8"	327-372
3/4"	620-664
7/8"	690-735

5. Insert the connecting pipe of the indoor unit into the reamer transfer nozzle flaring of the outdoor unit, and braze the connecting port.

#### CAUTION

- Ensure to wrap insulation around the piping. Direct contact with the bare piping may result in burns or frostbite.
  - Make sure the pipe is properly connected. Over tightening may damage the bell mouth and under tightening may lead to leakage.
6. Insulate all the piping, including the gas valve of the outdoor unit.
  7. Open the stop valves of the outdoor unit to start the flow of the refrigerant between the indoor and outdoor unit.

#### CAUTION

- Check to make sure there is no refrigerant leak after completing the installation work. If there is a refrigerant leak, ventilate the area immediately and evacuate the system (refer to the Air Evacuation section of this manual).

## 8. SYSTEM LEAK CHECK

Leak check is required for the brazed line connections.

1. Pressurize the brazed refrigerant lines and indoor coil to at least 150 PSIG using dry nitrogen.
2. Check for leaks by using a soapy solution or bubbles at each brazed location.

### 150PSIG

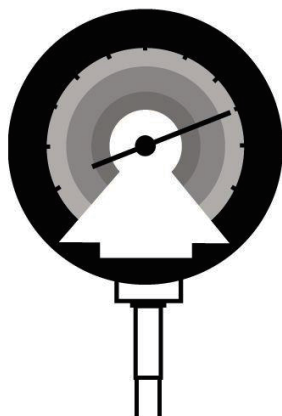


Fig 8-1 Charge dry nitrogen to the system

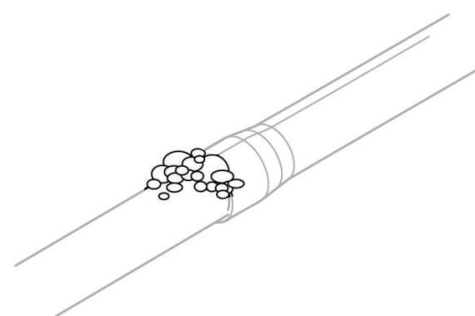


Fig 8-2 Leak check

## 9. EVACUATION

Do not open the service valves until the leak check and evacuation are complete.

1. Evacuate until the micron gauge reads no higher than 350 microns, then close the valve to the vacuum pump.
2. Evacuation is complete if the micron gauge does not rise above 500 microns in one minute.

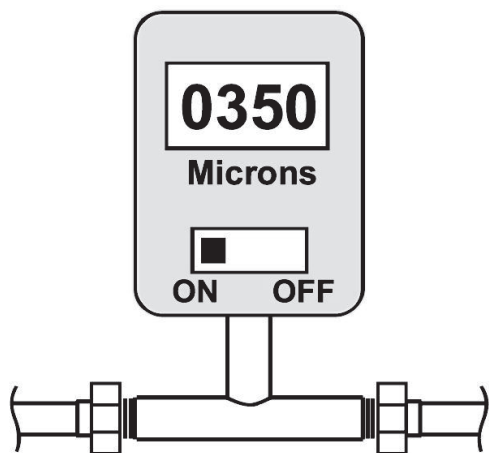


Fig 9-1 Evacuation the refrigerant system

## 10. SERVICE VALVES

Leak check and evacuation must be completed before opening the service valves.

The gas service valve must be opened BEFORE opening the Liquid Service Valve!

1. Remove service valve cap.
  2. Fully insert hex wrench into the stem and counterclockwise until valve stem just touches the rolled edge (approximately five turns.)
  3. Replace and tighten the valve stem cap to prevent leaks. Additional 1/6 turn may be required.
- Repeat 1 to 3 for Liquid Service Valve.

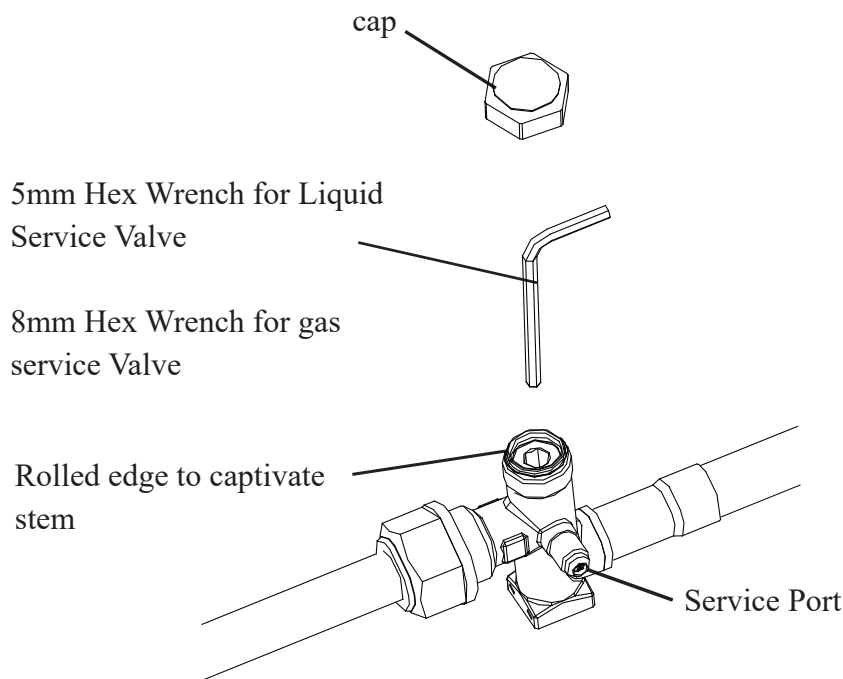


Fig 10-1 Open the service valves



### WARNING

Extreme caution should be exercised when opening the Liquid Service Valve. Turn counterclockwise until the valve stem just touches the rolled edge. No torque is required.

Failure to follow this will result in abrupt release of system charge and may lead to personal injury and /or property damage.

# 11. ELECTRICAL - LOW VOLTAGE

## 11.1 Low Voltage Wire Requirement

Define the maximum length of low voltage wiring from condensing unit to indoor unit and thermostat.

Field installed electrical conduit is required at the low voltage wire entry point. Animals like frogs, snakes, spiders and others may climb into the control box resulting in the PCB damage. Manufacturer reserves the rights to reject warranty claim on PCB if no comply.

Table 11-1 Low voltage control wiring requirement

CONTROL WIRING	
Wire Size	Max. Wire Length
18 AWG	164ft

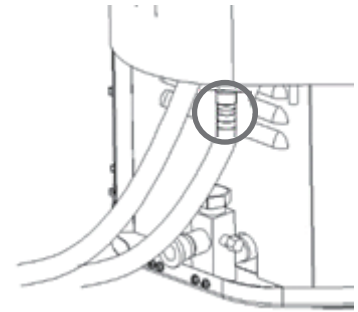


Fig 11-1 Sealing requirement

## 11.2 Low Voltage Hook-up Diagrams

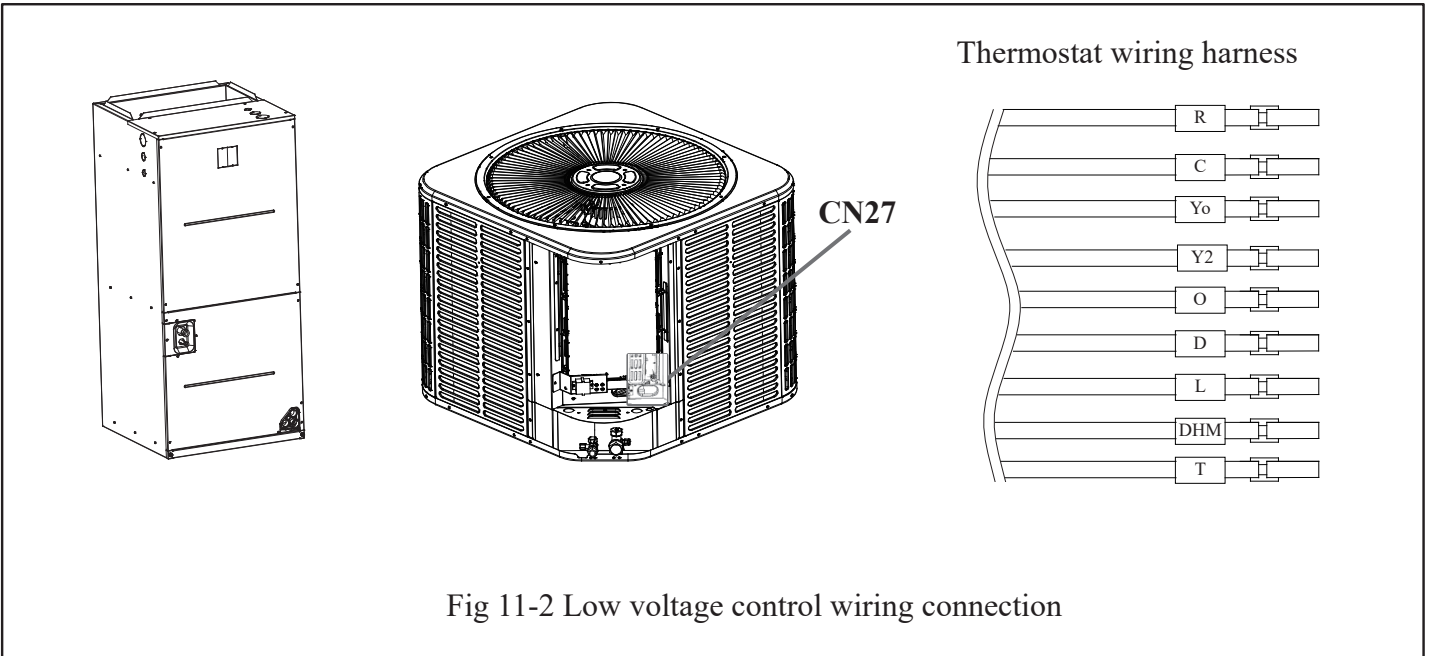


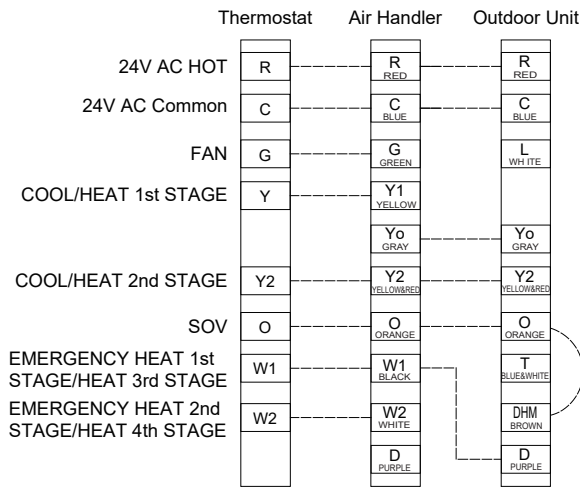
Fig 11-2 Low voltage control wiring connection

# 11. ELECTRICAL - LOW VOLTAGE

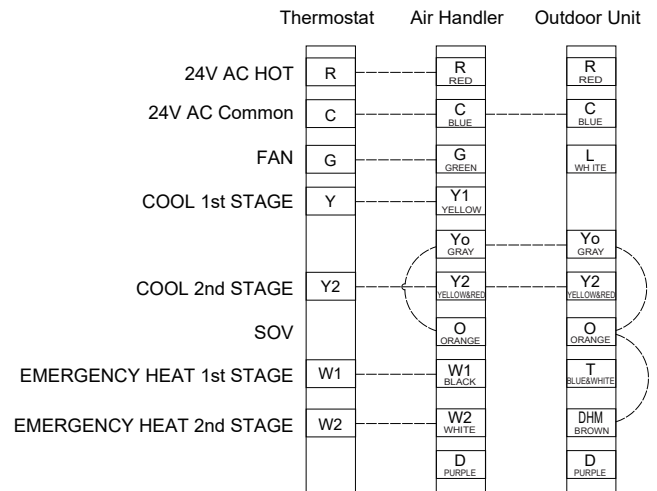
Class 2 low voltage control wiring should not be run in conduit with main power wiring and must be separated from power wiring, unless class 1 wire of proper voltage rating is used.

- Low voltage control wiring should be color-coded 18 AWG.
- Refer to wiring diagrams attached to indoor and outdoor sections to be connected.
- Make sure separation of control wiring and power wiring has been maintained.

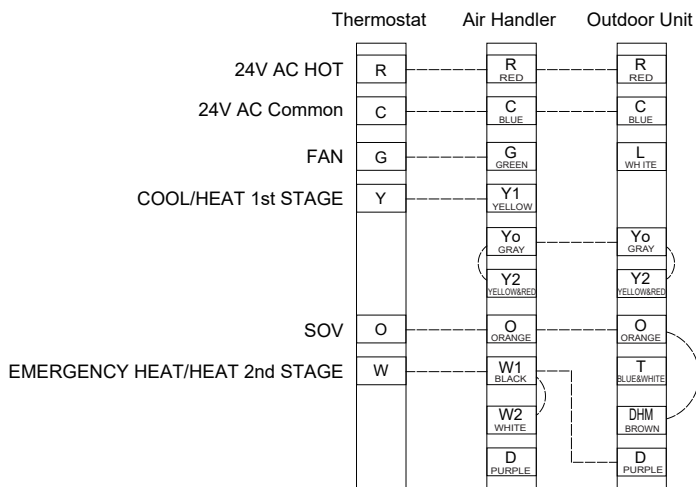
**2 Stage, 2 Step, Heating Pump**



**2 Stage, 2 Step, Cooling Only**



**Single Stage, Heating Pump**



**Single Stage, Cooling Only**

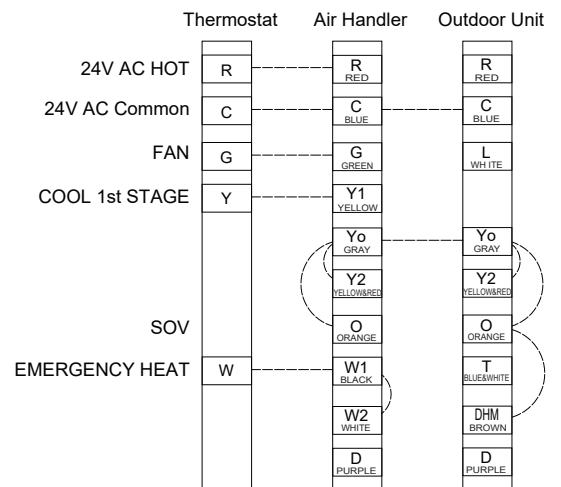


Fig 11-3 Schematic diagram for control wiring connection

## 12. ELECTRICAL - HIGH VOLTAGE

### 12.1 High Voltage Power Supply

**⚠ WARNING**

During installation, testing, servicing, and trouble shooting of this product, it may be necessary to work with live electrical components. Failure to follow all electrical safety precautions when exposed to live electrical components could result in death or serious injury.

The high voltage power supply must agree with the equipment nameplate. Power wiring must comply with National, State and Local codes. Follow instructions on unit wiring diagram located on the inside of the control box cover.

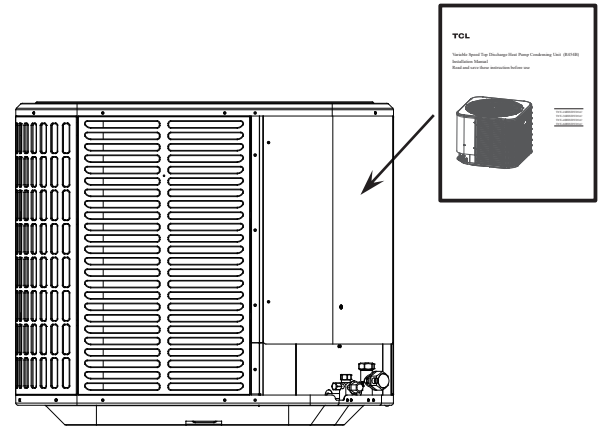


Fig 12-1 Read the warning label

Power Supply			
Model	Voltage	MCA	Breaker
HP19V24	280/230V-1Ph-60Hz	16A	25A
HP19V36		22A	35A
HP19V48		35A	60A
HP19V60		35A	60A

### 12.2 High Voltage Disconnect Switch

Install a separated disconnect switch at the condensing unit. Field provided flexible electrical conduit must be used for high voltage wiring.

In order to get full warranty coverage on the compressor, it's mandatory to install a surge protector to prevent the unit from damaging caused by abnormal electrical spikes.

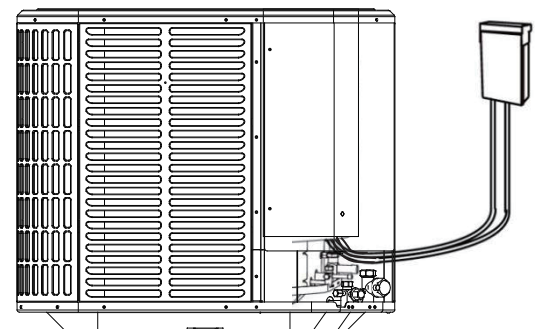


Fig 12-2 Install an independent switch

## 12. ELECTRICAL - HIGH VOLTAGE

### 12.3 High Voltage Ground

Ground the condensing unit according to National, State, and Local code requirements.

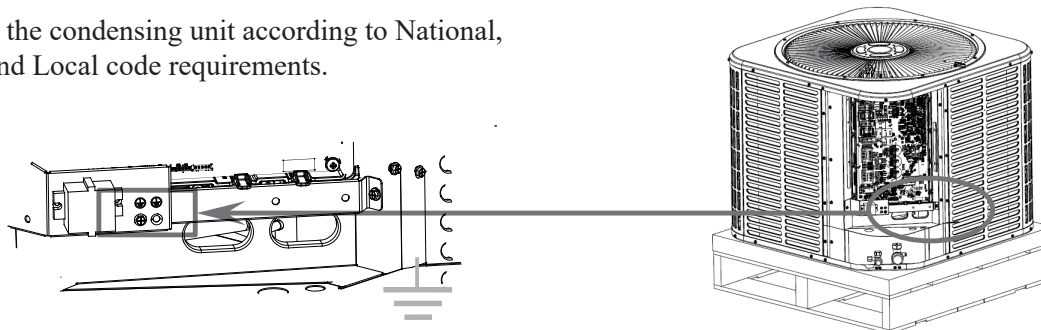


Fig 12-3 Unit grounding

## 13. START-UP

1. Set the thermostat to OFF.
2. Turn on disconnect switch to apply power to the indoor and outdoor units.
3. Wait an hour before starting the unit if the outdoor ambient temperature < 59°F.
4. Set the thermostat to ON.

- ❶ Attempt to use the air conditioner under the temperature beyond the specified range may cause the air conditioner protection device to start and the air conditioner may fail to operate. Therefore, try to use the air conditioner in the following temperature conditions.

#### Fixed air conditioner:

Temperature \ MODE	Heating	Cooling	Dry
Room temperature	0°C~30°C(32°F~86°F)	17°C~32°C(63°F~90°F)	
Outdoor temperature	-20°C~27°C(-5°F~80°F)	-15°C~52°C(5°F~125°F)	

With the power supply connected, restart the air conditioner after shutdown, or switch it to other mode during operation, and the air conditioner protection device will start. The compressor will resume operation after 3 minutes.

- ❶ **Characteristics of heating operation (applicable to Heat pump models)**

#### Preheating:

When the heating function is enabled, the indoor unit will take 2~5 minutes for preheating, after that the air conditioner will start heating and blows warm air.

#### Defrosting:

During heating, when the outdoor unit frosted, the air conditioner will enable the automatic defrosting function to improve the heating effect. During defrosting, the indoor and outdoor fans stop running. The air conditioner will resume heating automatically after defrosting finish.



## 14. SYSTEM OPERATION

### 14.1 Default Display

LED on main control board can display the operating status of outdoor unit (ODU).

DSP1-1 DSP1-2 DSP1-3



DSP1-1、DSP1-2: Normally blank, but it displays codes accordingly if there is damaged sensor and command response. See fault code Table 1 for details.

DSP1-3: It displays outdoor unit's operation mode.

code	content	code	content
E0	Indoor and outdoor communication failure	P9	Compressor drive protection (load abnormality)
E1	Indoor environment temperature sensor failure	PA	Top outlet wind plate communication fault/mode conflict
E2	Indoor coil temperature sensor failure		
E3	Outdoor coil temperature sensor failure	F0	Red exterior motion sensor failure
E4	System abnormalities (low refrigerant)	F1	Electricity module failure
E5	Model configuration errors	F2	Exhaust temperature sensor bag failure protection
E6	Indoor PG/DC fan failure		
E7	Outdoor environment temperature sensor failure	F3	Outer pipe temperature sensor bag failure protection
E8	Outdoor exhaust temperature sensor failure		
E9	Outdoor IPM module failure/compressor drive failure	F4	Refrigerant circuit abnormal protection
		F5	PFC protection
EA	Outdoor current sensor failure	F6	Compressor missing/reverse phase protection
Eb	Main control board and display screen communication failure	F7	Module temperature protection
		F8	Four-way valve reversing abnormal protection
EC	Outdoor module communication failure	F9	Module temperature sensing circuit failure
EE	Outdoor EEPROM failure	FA	Compressor phase current detection failure
EF	Outdoor DC fan failure	Fb	Refrigeration and heating overload protection
EH	Outdoor air intake sensor failure	FC	Reduced frequency power overload protection
EP	Outdoor compressor shell top failure	FE	Reduced/frequency module current (compressor phase current) protection
EU	Outdoor voltage sensor failure		
Ej	Outdoor middle coil temperature sensor failure	FF	Reduced/frequency module temperature protection
En	Outdoor air pipe temperature sensor failure	FH	Reduced/frequency drive protection
Ey	Outdoor liquid pipe temperature sensor failure	FP	Dewdrop protection
P0	IPM module protection	FU	Frost protection
P1	Over and under voltage protection	Fj	Reduced/frequency exhaust protection
P2	Overcurrent protection	Fn	Reduced/frequency external machine AC current protection
P3	Other protections		
P4	Outdoor exhaust temperature too high protection	Fy	Reduced/frequency lack of fluorine protection
P5	Refrigeration anti-freezing protection	H1	High pressure switch failure
P6	Refrigeration anti-overheating protection	H2	Low pressure switch failure
P7	Heating anti-overheating protection	H3	High pressure sensor failure
P8	Outdoor temperature too high or too low protection	H4	Low pressure sensor failure
		Hd	Indoor refrigerant leakage protection

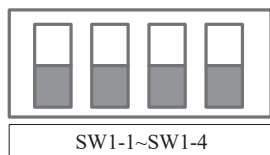
## 14. SYSTEM OPERATION

DSP1-3: It displays outdoor unit's operation mode.

DSP1-3 code	description
0	Standby
1	Ready
2	Cooling
3	Heating
4	Oil return operation
5	Defrosting operation
6	Forced defrosting
7	Forced cooling operation
8	Forced heating operation
A	Fault
H	Dehumidification mode operation

### 14.2 Field Setting

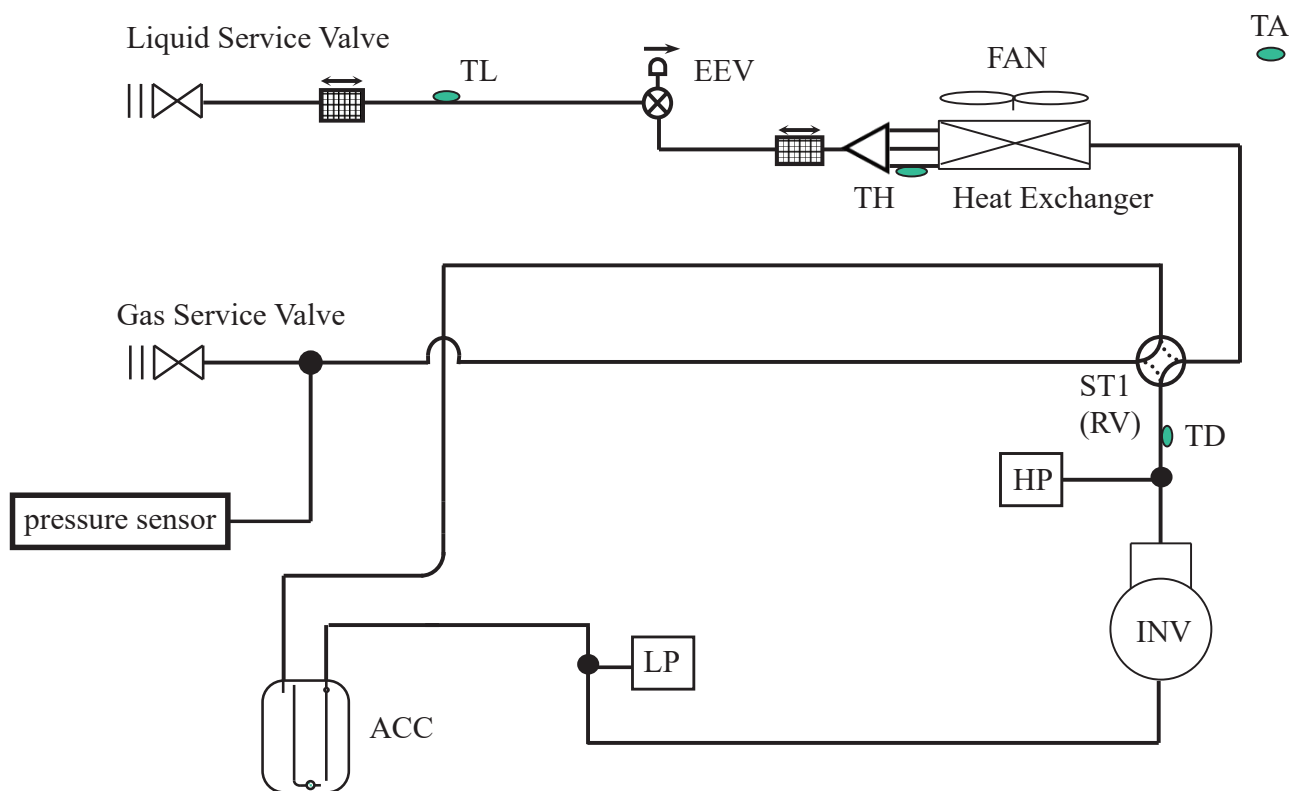
Setting by dip switches



Note: The DIP switch is checked only once when the main control is powered on. After the DIP switch is powered on, it is not checked again.

SW1 Dip Switch		Description	
NO.	Setting item	Status	Content
SW1-1	Single cooling/heat pump	ON	AC outdoor unit
		digit	HP outdoor unit
SW1-2	Operating capacity	ON	Lower capacity
		digit	Normal capacity
SW1-3	Control mode	ON	485 communication
		digit	24V ON/OFF control
SW1-4	Keep the factory defaults		

## 14.3 Major Components Function



Name	Symbol	Function
Inverter compressor	INV	Adjusts refrigerant flow rate by changing the speed (RPS) based on objective pressure.
DC motor	FAN	Outputs heat exchanger capacity by adjusting the motor rotational speed based on operating pressure.
Electronic expansion valve	EEV	1) Fully open in cooling mode and defrost operation. 2) Control compressor discharge superheat in heating mode.
Reversing valve	ST1 (RV)	Switches the operation mode between heating and cooling (including defrost control).
Temperature sensor	TH	Uses to control defrost during heating operation.
	TA	Uses to detect outdoor air temperature and control fan speed.
	TL	Uses to detect liquid line temperature and calculate sub-cooling (SC).
	TD	Uses to detect compressor discharge temperature and calculate discharge: superheat (DSH).
	TF	Uses to detect heatsink temperature of inverter module.
High pressure switch	HP	Uses to detect high pressure.
Low pressure switch	LP	Uses to detect low pressure.
Accumulator	ACC	To prevent the compressor from ingesting liquid refrigerant.

## 15. TROUBLESHOOTING

### CAUTION

If one of the following conditions occurs, switch off the power supply immediately and contact your dealer for further assistance:

- The operation light continues to flash rapidly after the unit has been restarted.
- The unit continually trips fuses or circuit breakers.
- A foreign object or water enters the air conditioner.
- The indoor unit leaks.
- Other abnormal situations.

### 15.1 Common Problems

The following symptoms are not a malfunction and in most situations will not require repairs.

Problem	Possible Cause
Abnormal noises of outdoor unit	The unit will make different sounds based on its current operating mode.
Both the indoor and outdoor units make noises	The air conditioner may hum during operation. This is a normal phenomenon, which is caused by refrigerant gas flowing through the indoor and outdoor units.
	When the air conditioner is turned on, and just stopped or defrosted, a hiss may be heard. This noise is normal and is caused by refrigerant gas stopping or turning.
Unit does not turn on when pressing ON/ OFF button	The unit has a 3-minute protection feature that prevents the unit from overloading. The unit cannot be restarted within three minutes of being turned off.
	Cooling and Heating Models: If the Operation light and PRE-DEF (Pre-heating/ Defrost) indicators are lit up, the outdoor temperature is too cold and the unit's anti-cold wind is activated in order to defrost the unit.
The unit changes from COOL mode to FAN mode	The unit changes its setting to prevent frost from forming on the unit. Once the temperature increases, the unit will start operating again.
	The set temperature has been reached, at which point the unit turns off the compressor. The unit will resume operating when the temperature fluctuates again.
Both the indoor and outdoor units emit white mist	When the unit restarts in HEAT mode after defrosting, white mist may be emitted due to moisture generated from the defrosting process.
Dust is emitted from either the indoor or outdoor unit	The unit may accumulate dust during extended periods of nonuse, which will be emitted when the unit is turned on. This can be mitigated by covering the unit during long periods of inactivity.
The unit emits a bad odor	The unit may absorb odors from the environment (such as furniture, cooking, cigarettes, etc.) which will be emitted during operations.
	The unit filters have become moldy and should be cleaned.
The fan of the outdoor unit does not operate	During operation, the fan speed is controlled to optimize product operation.

## 15.2 Troubleshooting Advice

When troubles occur, please check the following points before contacting a repair company.

Problem	Possible Cause	Solution
The unit is not working	Power failure	Wait for the power to be restored
	The power switch is off	Turn on the power
	The fuse is burned out	Replace the fuse
	The unit's 3-minute protection has been activated	Wait three minutes after restarting the unit
Poor cooling performance	Temperature setting may be higher than the ambient room temperature	Lower the temperature setting
	The heat exchanger on the indoor or outdoor unit is dirty	Clean the affected heat exchanger
	The air filter is dirty	Remove the filter and clean it according to instructions
	The air inlet or outlet of either unit is blocked	Turn the unit off, remove the obstruction and turn it back on
	Doors and windows are open	Make sure that all doors and windows are closed while operating the unit
	Excessive heat is generated by sunlight	Close windows and curtains during periods of high heat or bright sunshine
	Low refrigerant due to leak or long-term use	Check for leaks, re-seal if necessary and top off refrigerant
The unit starts and stops frequently	There's too much or too little refrigerant in the system	Check for leaks and recharge the system with refrigerant
	There is air, incompressible gas or foreign material in the refrigeration system.	Evacuate and recharge the system with refrigerant
	System circuit is blocked	Determine which circuit is blocked and replace the malfunctioning piece of equipment
	The compressor is broken	Replace the compressor
	The voltage is too high or too low	Install a monostatic to regulate the voltage
Poor heating performance	The outdoor temperature is lower than 44.5°F	Check for leaks and recharge the system with refrigerant
	Cold air is entering through doors and windows	Make sure that all doors and windows are closed during use
	Low refrigerant due to leak or long-term use	Check for leaks, re-seal if necessary and top off refrigerant

## 16. WIRING DIAGRAM

Field wiring must comply with the National Electric Code (C.E.C. in Canada) and any applicable local ordinance.

### WARNING

Disconnect all power to unit before installing or servicing. More than one disconnect switch may be required to de-energize the equipment. Hazardous voltage can cause severe personal injury or death.

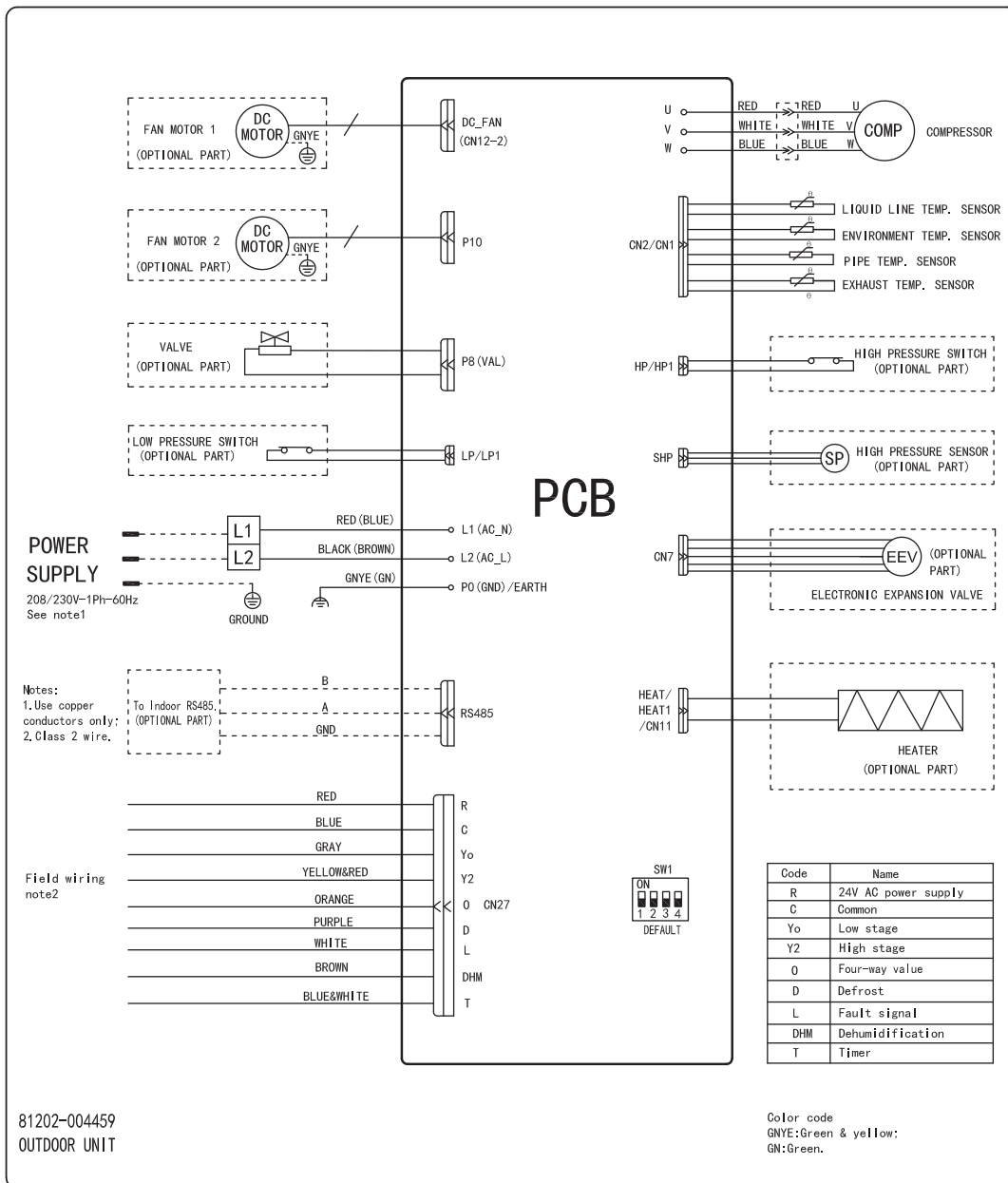
Wiring material ampacities	AWG
4	22
7	20
10	18
13	16
18	14
25	12
30	10
40	8
55	6
70	4

The ampacities shown apply to appliance wiring materials with insulation rated not less than 90°C(194°F). Supply circuit power wiring must be 167°F minimum copper conductors only.

# 16. WIRING DIAGRAM

It is important that proper electrical power is available for connection to the unit model being installed. Refer to the unit nameplate, wiring diagram and electrical data in the installation instructions.

- If required, install a branch circuit disconnect of adequate size, located within sight of, and readily accessible to the unit.
- When the electric heat is installed, units may be equipped with one or two 30~60 amp circuit breakers. These breakers protect the internal wiring in the event of a short circuit and serve as a disconnect. Circuit breakers installed within the unit do not provide over-current protection of the supply wiring and therefore may be sized larger than the branch circuit protection. Supply circuit power wiring must be 167°F minimum copper conductors only. Refer to electrical data in this section for ampacity, wire size and circuit protector requirements. Supply circuit protective devices may be either fuses or “HACR” type circuit breakers.



## 17. DISPOSAL GUIDELINE

1. Minimum installation height, minimum room area (operating or storage) refer to installation manual.
1. La taille minimale d'installation, la surface minimale de pièce (opération ou stockage) se réfèrent au manuel d'installation.
2. Risk Of Fire-Auxiliary devices which may be ignition sources shall not be installed in the ductwork, other than auxiliary devices listed for use with the specific appliance. See instructions.
2. Risque d'incendie - l'équipement auxiliaire qui peut être une source d'inflammation ne doit pas être installé dans le système de tuyauterie, à l'exception de l'équipement auxiliaire utilisé avec un équipement spécifique. Voir les instructions.
3. Mount with the lowest moving parts at least 2.5m (8ft) above floor or grade level.
3. Installé avec la partie mobile la plus basse au moins 2.5m(8ft) au-dessus du sol ou du plan du sol.
4. Risk of electric shock. Can cause injury or death. Disconnect all remote electric power supplies before servicing.
4. Risque de choc électrique. Causer des blessures ou la mort. Avant la réparation, débranchez toute alimentation à distance.
5. Risk Of Fire. Flammable Refrigerant Used. To Be Repaired Only By Trained Service Personnel. Do Not Puncture Refrigerant Tubing.
5. Risque d'incendie. Utilisation de réfrigérants inflammables. L'entretien ne peut être effectué que par un personnel de maintenance formé. Ne pas percer la ligne de réfrigérant.
6. Risk Of Fire. Dispose Of Properly In Accordance With Federal Or Local Regulations. Flammable Refrigerant Used.
6. Risque d'incendie. Disposer correctement conformément à la réglementation fédérale ou locale. Utilisation de réfrigérants inflammables.
7. Risk Of Fire. Flammable Refrigerant Used. Consult Repair Manual/Owner's Guide Before Attempting To Service This Product. All Safety Precautions Must Be Followed.
7. Risque d'incendie. Utilisation de réfrigérants inflammables. Veuillez consulter le manuel de réparation/guide de l'utilisateur avant d'essayer de réparer ce produit. Toutes les précautions de sécurité doivent être respectées.
8. Risk Of Fire. Due to Flammable Refrigerant Used. Follow Handling Instructions Carefully in Compliance with National Regulations.
8. Risque d'incendie causé par l'utilisation de réfrigérants inflammables. Suivez attentivement les instructions de manutention conformément aux réglementations nationales.





## 18. SUPPLEMENTARY STATEMENT

### WARNING

- Do not use means to accelerate the defrosting process or to clean, other than those recommended by the manufacturer;
- The appliance shall be stored in a room without continuously operating ignition sources (for example: open flames, an operating gas appliance or an operating electric heater).
- Do not pierce or burn.
- Be aware that refrigerants may not contain an odour.

### AVERTISSEMENT:

- Ne pas utiliser de produits permettant d'accélérer le dégel ou de produits de nettoyage autres que ceux recommandés par le fabricant.
- L'appareil doit être entreposé dans un endroit sans source d'allumage fonctionnant en continu (par exemple : flamme nue, appareil au gaz en marche ou radiateur électrique en marche).
- Ne pas percer ni brûler.
- Attention : les frigorigènes peuvent être inodores

### Statement

1. Please use the flammable gas detector to check before unload and open the container.
2. No fire source and smoking.
3. That pipe-work shall be protected from physical damage and, in the case of FLAMMABLE REFRIGERANTS, shall not be installed in an unventilated space, if that space is smaller than Amin in Annex GG, except for A2L REFRIGERANTS where the installed pipes comply with 22.116. In case of field charge, the effect on REFRIGERANT CHARGE caused by the different pipe length has to be quantified;
4. That compliance with national gas regulations shall be observed;
5. that mechanical connections made in accordance with 22.118 shall be accessible for maintenance purposes;
6. That pipe-work including piping material, pipe routing, and installation shall include protection from physical damage in operation and service, and be in compliance with national and local codes and standards, such as ASHRAE 15, ASHRAE 15.2, IAPMO Uniform Mechanical Code, ICC International Mechanical Code, or CSA B52. All field joints shall be accessible for inspection prior to being covered or enclosed;
7. That after completion of field piping for split systems, the field pipework shall be pressure tested with an inert gas and then vacuum tested prior to refrigerant charging, according to the following requirements;
8. The appliance shall be stored so as to prevent mechanical damage from occurring.
9. Working personnel for maintenance, service and repair operations.

Every working procedure that affects safety means shall only be carried out by competent persons according to Annex HH.

Examples for such working procedures are:

- breaking into the refrigerating circuit;
- opening of sealed components;
- opening of ventilated enclosures.



Intertek



## LIMITED EXPRESS WARRANTY - HPV19 and AH19X

Congratulations on purchasing your new HVAC equipment. It has been designed for long life and reliable service, and is backed by one of the strongest warranties in the industry. Your unit automatically qualifies for the warranty coverage listed below, provided you keep your proof of purchase (receipt) for the equipment and meet the warranty conditions.

### LIMITED SIX (6) YEAR PARTS EXPRESS WARRANTY

All parts of the HPV19 and AH19X are warranted to be free from defects in workmanship and materials for normal use and maintenance for six (6) years from the date of purchase by the original consumer for the original residential installation. The Limited Express Warranty applies only when the unit is installed per the Comfort-Aire/Century installation instructions and in accordance with all local, state and national codes for normal residential use.

### LIMITED SIX (6) YEAR EXTENDED EXPRESS WARRANTY

The compressor only is warranted to be free from defects in workmanship and materials for an additional six years (total of 12 years) from the date of purchase to the original consumer for the original residential installation, when the unit is registered within 60 days of purchase. Additionally, all parts are warranted to be free from defects in workmanship and materials for an additional six years (total of 12 years) from the date of purchase by the original consumer for the original residential installation, when the unit is registered within 60 days of purchase.

This Extended Express Warranty applies only when the unit is installed as part of a complete AHRI-matched system.

### COMPRESSOR FAILURE COVERAGE (RESIDENTIAL INSTALLATION)

**With registration within 60 days of purchase:** If the compressor fails within the first year after purchase, unit will be credited at original purchase cost, including \$300 labor allowance.

**Without registration within the 60-day period:** If the compressor fails within 90 days after purchase, unit will be credited at original purchase cost, including \$300 labor allowance. In both cases, the credit(s) will be issued to an authorized Comfort-Aire/Century distributor, who has received prior authorization from Comfort-Aire/Century. The owner is responsible for any additional labor, freight or miscellaneous charges.

### EXCEPTIONS

The Limited Express Warranty does not cover normal maintenance—Comfort-Aire/ Century recommends that regular inspection/maintenance be performed according to the Owner's Manual. Additionally, labor charges, transportation charges for replacement parts, replacement of refrigerant or filters, any other service calls/ repairs are not covered by this Limited Express Warranty. It also does not cover any portion or component of the system that is not supplied by Comfort-Aire/ Century, regardless of the cause of failure of such portion or component. Purchasers in Florida, California, Quebec, and any other jurisdiction that prohibits registration requirements to effectuate warranties (1) have no registration requirement and automatically receive the default extended warranty applicable to your equipment, if any, and (2) the failure to register your equipment does not diminish your warranty coverage.

### CONDITIONS FOR WARRANTY COVERAGE

- Unit must be operated according to the Comfort-Aire/Century operating instructions included with the unit and cannot have been subjected to accident, alteration, improper repair, neglect or misuse, or an act of God (such as a flood)
- Serial numbers and/or rating plate have not been altered or removed
- Proof of proper maintenance over the unit's lifetime must be supplied
- Installation was done by a trained, licensed or otherwise qualified HVAC dealer/contractor
- Performance has not been impaired by use of any product not authorized by Comfort-Aire/Century, or by any adjustments or adaptations to components
- Damage has not been a result of inadequate wiring or voltage conditions, use during brown-out conditions, or circuit interruptions
- Air flow around any section of the unit has not been restricted
- Unit remains in the original residential installation
- Extended warranty is valid only to the original purchaser (non-transferrable)
- Unit was not purchased over the internet

### DURATION OF WARRANTY & REGISTRATION

The warranty begins on the date of purchase by the original consumer. The original consumer must register at [www.marsdelivers.com](http://www.marsdelivers.com) within 60 days of purchase. The original consumer must retain a receipted bill of sale as proof of warranty period and also retain proof of the AHRI-matched system installation (part numbers, serial numbers, purchase and installation dates). Without registration and/or proof of purchase, the warranty reverts to the Six-Year Limited Express Parts Warranty and the warranty begins on the date of shipment from the factory.

### REMEDY PROVIDED BY THE LIMITED EXPRESS WARRANTY

The sole remedy under the Limited Express Warranty is replacement of the defective part. If replacement parts are required within the period of this warranty, Comfort-Aire/ Century replacement parts shall be used; any warranty on the replacement part(s) shall not affect the applicable original unit warranty. Access to the unit for service is the owner's responsibility. Labor to diagnose and replace the defective part is not covered by this Limited Express Warranty. If for any reason the replacement part/product is no longer available during the warranty period, Comfort-Aire/Century shall have the right to allow a credit in the amount of the current suggested retail price of the part/product instead of providing repair or replacement.

### LIMITATION OF LIABILITY

1. **EXCLUSION OF ALL IMPLIED WARRANTIES AND LIMITATION.** There are no other express or implied warranties. Comfort-Aire/Century makes no warranty of merchantability. We do not warrant that the unit is suitable for any particular purpose or can be used in buildings or rooms of any particular size or condition except as specifically provided in this document. There are no other warranties, express or implied, which extend beyond the description in this document.
2. All warranties implied by law are limited in duration to the six-year term of the parts warranty. Your exclusive remedy is limited to the replacement of defective parts. **We will not be liable for any consequential or incidental damages caused by any defect in this unit.**
3. This warranty gives you specific legal rights; you may also have other rights which vary from state to state. Some states do not allow limitation on how long an implied warranty lasts or do not allow the exclusion or limitation of incidental and/or consequential damages, so the above limitations or exclusions may not apply to you.
4. No warranties are made for units sold outside the continental United States and Canada. Your distributor or final seller may provide a warranty on units sold outside these areas.
5. Comfort-Aire/Century will not be liable for damages if our performance regarding warranty resolution is delayed by events beyond our control including accident, alteration, abuse, war, government restrictions, strikes, fire, flood, or other acts of God.

### COMMERCIAL INSTALLATION LIMITED EXPRESS WARRANTY

When installed in a commercial application, all parts and compressors are warranted to be free from defects in material and workmanship for ONE YEAR from the date of purchase by the original consumer for the original installation.

**Please follow the below steps to register your product.**

- Please log onto our website [www.marsdelivers.com](http://www.marsdelivers.com)
- Resources
- Product Registration
- Complete the requested information in all caps Especially the Email Address
- Press the "Continue" button at the bottom
- A copy of the registration will be sent to the email address that you entered at the top of the page for your records

### KEEP THIS INFORMATION AS A RECORD OF YOUR PURCHASE

Apply Serial Number and Model Number sticker here (from product carton). If unavailable, write serial number and model number below (can be found on unit rating plate).

\_\_\_\_\_ Date of Purchase \_\_\_\_\_ Date Installation Completed  
 Component of new HVAC system  Replacement furnace only  
 Remember to retain your bill of sale as proof of warranty period and ownership.



508720-01

HPV19/AH19X  
WARRANTY 04/2025



Please visit [www.marsdelivers.com](http://www.marsdelivers.com) to register your new product

Due to ongoing product improvements, specifications and dimensions are subject to change and correction without notice or incurring obligations. Determining the application and suitability for use of any product is the responsibility of the installer. Additionally, the installer is responsible for verifying dimensional data on the actual product prior to beginning any installation preparations.

Incentive and rebate programs have precise requirements as to product performance and certification. All products meet applicable regulations in effect on date of manufacture; however, certifications are not necessarily granted for the life of a product. Therefore, it is the responsibility of the applicant to determine whether a specific model qualifies for these incentive/rebate programs.



1900 Wellworth Ave., Jackson, MI 49203 • Ph. 517-787-2100 • [www.marsdelivers.com](http://www.marsdelivers.com)

