

TGRG-P

SPECIFICATIONS

Refrigerant System

- Environmentally friendly R410A refrigerant
- Copper tubing with enhanced fin coils
- Internal service gauge ports

Heat Exchanger

- Aluminized Tri-Dimple tubular heat exchanger for increased efficiency
- Pest protected flue outlet

Cabinet Construction

- Rounded corners for safety and an attractive, clean appearance
- One piece base design for strength and stability
- Drain ports for condensate management and coil runoff
- Low profile, with compact footprint
- Insulation to minimize heat loss plus reduce sound
- Textured pre-painted steel cabinet finish
- Superior service access to components
- One piece “no leak” top design

Blower

- Insulated compartment to reduce sound
- Efficient constant torque motor for wide airflow range
- Slide out blower housing for easy service

Controls

- Solid state integrated blower control board with L.E.D. self diagnostics
- Direct spark ignition
- Color coded wiring for easy service

Installation

- Horizontal or down discharge capable
- Utility connections on “right side”
- Tabbed duct flanges for simple duct connections

Accessories

- Roofcurbs
- Lifting brackets
- LP Gas Conversion
- Internal filter kits



GAS ELECTRIC PACKAGED UNIT

14 SEER



Warranty

Standard warranty or Extended warranty available with product registration.
See warranty document for details or visit www.marshdelivers.com

MODEL NUMBER GUIDE

T	G	R	G	24	54	1	P
Package Unit	Gas/Electric	Residential	'Green' Gas R-410A	Nominal Cooling Capacity BTUH x 1000	BTUH x 1000	Power 208/230-1-60	Series/Revision

ELECTRICAL AND PHYSICAL DATA

Model	Voltage	Phase	Hz	Min Volts @ 60 Hz	MCA	Max Fuse/HACR Breaker	Compressor		Condenser Motor		Blower Motor		Exhaust Motor		Refrig. Charge (oz.)	Weight (lbs.)
							RLA	LRA	FLA	HP	FLA	HP	RLA	HP		
TGRG24541P	208-230	1	60	197	14.4	20	8.6	43.5	1.0	1/6	2.8	1/3	0.22	1/50	72	329
TGRG24721P																335
TGRG30541P																340
TGRG30721P					18.22	25	10.6	47			4.1	1/2			346	
TGRG36721P															364	
TGRG36901P															370	
TGRG42721P					22.7	35	15.7	72.2	4.1	1/2	364					
TGRG42901P											370					
TGRG481081P											370					
TGRG481261P					27.5	40	15.9	112.3	6	3/4	435					
TGRG601081P											441					
TGRG601261P											491					
TGRG481081P	28.7	45	16.9	94	1.7	1/4	453									
TGRG481261P							459									
TGRG601081P							485									
TGRG601261P	38.9	60	26.4	152.5	7.6	1.0	485									
TGRG601261P							491									
TGRG601261P							491									

PERFORMANCE

Model	COOLING					HEATING				Sound dBA	
	Rated AHRI Capacity Btuh	SEER	EER	Rated Sensible Capacity Btuh	CFM	Input BTUH	Output BTUH	Efficiency AFUE	Temp Rise Range F		
TGRG24541P	22,600	14.0	11.0	17,400	800	54,000	43,800	81%	30-60	77	
TGRG24721P						72,000	58,400		40-70		
TGRG30541P	28,400			21,900	1000	54,000	43,800		30-60	79	
TGRG30721P						72,000	58,400		40-70		
TGRG36721P	34,000			26,100	1200	72,000	58,400		35-65	78	
TGRG36901P						90,000	72,900		40-70		
TGRG42721P						40,000	30,800		1400		72,000
TGRG42901P	90,000			72,900	40-70						
TGRG481081P	45,500			35,000	1600	108,000	87,500		40-70		77
TGRG481261P						126,000	102,100		45-75		
TGRG601081P	57,000			41,600	1800	108,000	87,500		40-70	78	
TGRG601261P						126,000	102,100		45-75		

*Certified in accordance with Unitary Air Conditioner Certification Program, which is based on AHRI Standard 210/240

BLOWER PERFORMANCE

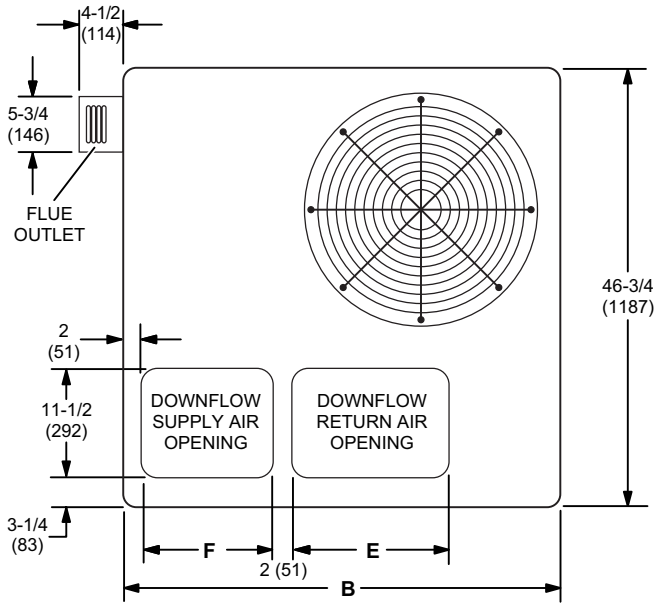
Model	Blower Tap	CFM @ext. Static Pressure in in. wc without filter, dry coil									
		0.1	0.2	0.3	0.4	0.5	0.6	0.7	0.8	0.9	1.0
TGRG24	TAP 1	610	560	525	485	430	N/A	N/A	N/A	N/A	N/A
	TAP 2	820	795	760	720	690	650	615	575	540	470
	TAP 3	950	920	880	850	820	800	760	720	680	625
TGRG30	TAP 1	850	820	780	745	710	680	630	590	550	515
	TAP 2	1040	1000	970	935	900	875	845	815	770	735
	TAP 3	1175	1145	1115	1080	1050	1015	990	945	900	860
TGRG36	TAP 1	850	800	750	700	645	600	550	480	435	N/A
	TAP 2	1245	1210	1175	1140	1100	1065	1025	975	920	845
	TAP 3	1400	1370	1335	1300	1265	1220	1180	1150	1060	875
TGRG42	TAP 1	800	720	640	550	475	390	310	N/A	N/A	N/A
	TAP 2	1470	1410	1360	1300	1260	1210	1155	1095	1000	940
	TAP 3	1700	1650	1610	1575	1540	1480	1430	1390	1340	1210
TGRG48	TAP 1	1145	1075	1000	930	850	790	740	670	570	490
	TAP 2	1675	1630	1600	1540	1490	1440	1390	1300	1230	1125
	TAP 3	1800	1770	1715	1690	1640	1610	1565	1500	1460	1380
TGRG60	TAP 1	1400	1320	1260	1200	1120	1060	980	900	N/A	N/A
	TAP 2	1920	1870	1820	1770	1720	1670	1450	1360	N/A	N/A
	TAP 3	2235	2195	2165	2130	2090	2060	2025	1985	1960	1940

COOLING PERFORMANCE - EXTENDED RATINGS

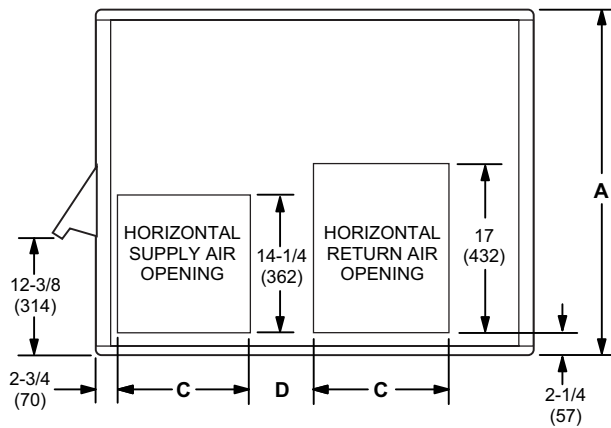
Outdoor Model	Indoor Temp DB/WB °F	Outdoor Temperature - DB °F														
		65°			82° / 67°			95° / 75°			105° / 85°			115° / 95°		
		Btuh	S/T	kW	Btuh	S/T	kW	Btuh	S/T	kW	Btuh	S/T	kW	Btuh	S/T	kW
TGRG24	85 / 72	30,600	0.65	1.33	27,700	0.68	1.65	24,700	0.70	1.88	23,100	0.72	2.06	22,500	0.75	2.26
	80 / 67	27,900	0.71	1.35	25,500	0.74	1.65	22,600	0.77	1.88	21,200	0.79	2.06	20,700	0.82	2.25
	75 / 63	26,000	0.74	1.36	23,800	0.77	1.65	21,000	0.79	1.87	20,700	0.82	2.05	19,300	0.84	2.23
	75 / 57	23,800	1	1.39	22,100	1	1.64	20,700	1	1.87	19,600	1	2.04	18,500	1.00	2.22
TGRG30	85 / 72	38,200	0.68	1.83	34,700	0.71	2.16	32,000	0.74	2.42	30,500	0.74	2.6	29,000	0.78	2.86
	80 / 67	35,200	0.75	1.76	32,300	0.78	2.11	28,400	0.75	2.34	28,100	0.84	2.57	25,100	0.8	2.74
	75 / 63	33,000	0.77	1.71	30,400	0.8	2.06	27,700	0.8	2.31	25,900	0.82	2.51	24,100	0.84	2.72
	75 / 57	29,900	1	1.66	28,300	1	2.01	26,600	1	2.29	25,200	1	2.49	23,700	1	2.7
TGRG36	85 / 72	45,800	0.68	2.09	41,700	0.72	2.49	37,600	0.73	2.82	35,400	0.74	3.1	32,400	0.75	3.39
	80 / 67	40,800	0.75	2.1	38,500	0.75	2.51	34,400	0.79	2.81	33,200	0.84	3.09	30,500	0.85	3.38
	75 / 63	38,100	0.76	2.11	36,000	0.77	2.51	32,300	0.81	2.80	30,500	0.84	3.08	28,400	0.87	3.37
	75 / 57	35,200	1	2.14	33,600	1	2.5	30,700	1	2.80	29,200	1	3.07	27,400	1	3.36
TGRG42	85 / 72	54,500	0.67	2.51	48,900	0.71	2.9	45,700	0.73	3.28	44,200	0.74	3.64	42,800	0.75	4.08
	80 / 67	50,100	0.74	2.52	45,100	0.78	2.91	40,000	0.77	3.28	38,400	0.79	3.64	35,700	0.8	4.05
	75 / 63	46,800	0.76	2.52	42,700	0.8	2.91	38,800	0.81	3.29	36,300	0.82	3.65	33,500	0.83	4.06
	75 / 57	42,500	1	2.53	39,700	1	2.93	37,100	1	3.3	35,100	1	3.66	33,100	1	4.07
TGRG48	85 / 72	59,400	0.69	2.78	53,900	0.72	3.29	49,700	0.72	3.6	47,100	0.75	4.09	43,600	0.75	4.48
	80 / 67	54,600	0.75	2.8	49,900	0.77	3.3	46,000	0.80	3.71	42,900	0.8	4.07	40,000	0.81	4.47
	75 / 63	50,700	0.76	2.82	46,700	0.79	3.3	43,300	0.82	3.7	40,400	0.82	4.06	38,100	0.86	4.47
	75 / 57	47,200	1	2.83	43,800	1	3.29	41,000	1	3.7	39,000	1	4.06	36,900	1	4.47
TGRG60	85 / 72	70,300	0.63	3.5	66,100	0.64	4.19	62,800	0.65	4.72	59,200	0.7	5.27	55,500	0.76	5.82
	80 / 67	65,700	0.69	3.47	61,000	0.71	4.08	57,400	0.73	4.69	54,300	0.78	5.24	51,200	0.83	5.78
	75 / 63	61,400	0.72	3.45	56,300	0.74	4.12	52,300	0.76	4.63	50,200	0.8	5.19	48,000	0.85	5.75
	75 / 57	54,500	1	3.42	50,100	1	4.09	50,100	1	4.09	46,700	1	5.17	45,900	1	5.73

DIMENSIONS (IN.)

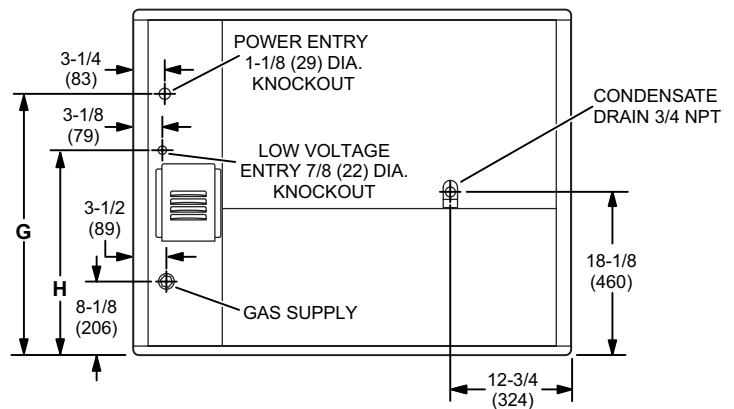
Model	A		B		C		D		E		F		G		H	
	in.	mm	in.	mm	in.	mm	in.	mm	in.	mm	in.	mm	in.	mm	in.	mm
TGRG24	36-7/8	937	46-3/4	1187	13-3/8	340	5-7/8	149	16-3/4	425	14	356	28-1/8	714	22-1/8	562
TGRG30																
TGRG36																
TGRG42	40-7/8	1038	55-1/4	1403	18-1/8	467	4-5/8	117	19-3/4	502	19-1/2	495	32-1/8	816	26-1/8	664
TGRG48																
TGRG60																



TOP VIEW

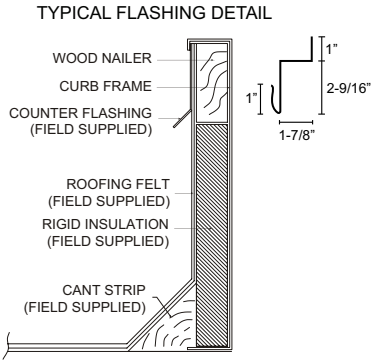
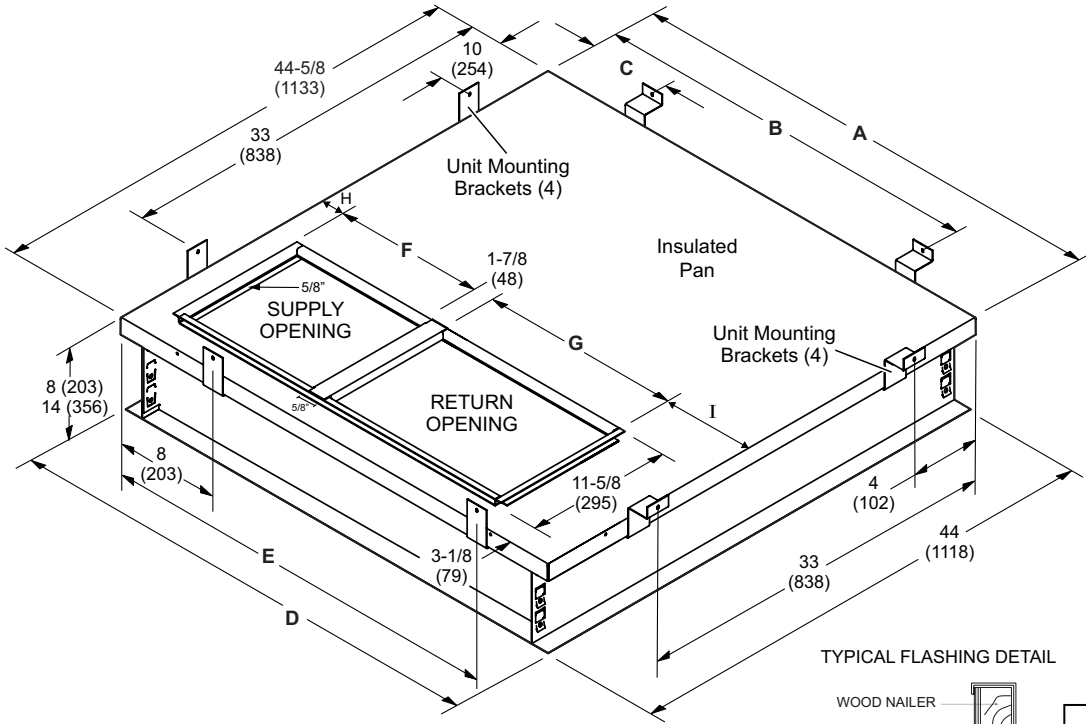


BACK VIEW



RIGHT SIDE VIEW

ROOF CURB DIMENSIONS



Usage	A		B		C		D		E	
	in.	mm	in.	mm	in.	mm	in.	mm	in.	mm
24, 36	44-5/8	1133	43	1092	18	457	44	1118	37	940
48, 60	53-1/8	1349	51	1295	24	610	52-1/2	1334	41	1041
Usage	F		G		H		I			
	in.	mm	in.	mm	in.	mm	in.	mm		
24, 36	14	356	16-3/4	425	2	51	9-3/4	248		
48, 60	19-1/2	495	19-3/4	502	2	51	10	254		

ACCESSORIES

Description	Where Used	Kit Number
Compressor Crankcase Heater	36, 42, 48, 60	11X27
Compressor Hard Start Kit	36, 60	10J42
Compressor Hard Start Kit	42, 48	88M91
Compressor Timed-Off Control	All	47J27
Down Flow Conversion - ACONVR836	24, 30, 36	1.851401
Down Flow Conversion - ACONVR837	42, 48, 60	1.851402
Drain pan overflow switch	All	11U75
Filter Rack Kit	24, 30, 36	11U73
Filter Rack Kit	42, 48, 60	11U74
Lifting Brackets	All	11U76
LPG/Propane Conversion Kit	All	11U77
Sideflow Rect. to 14" Rounds Duct Adapter (Qty 25 sets)	24, 30, 36	R104617-01
	42, 48, 60	R104618-01
8" Height Full Perimeter Curb	24, 30, 36	14W71
8" Height Full Perimeter Curb	42, 48, 60	14W72
14" Height Full Perimeter Curb	24, 30, 36	14V68
14" Height Full Perimeter Curb	42, 48, 60	14V69



Century®

TGRG-P

The Century logo features the word "Century" in a white, italicized serif font. To the left of the text is a stylized graphic of three curved lines, resembling a wing or a flame, also in white.

"This product complies with all California product labeling laws including, but not limited to, the Safe Drinking Water and Toxic Enforcement Act of 1986, more commonly known as Proposition 65."

Due to ongoing product improvements, specifications and dimensions are subject to change and correction without notice or incurring obligations. Determining the application and suitability for use of any product is the responsibility of the installer. Additionally, the installer is responsible for verifying dimensional data on the actual product prior to beginning any installation preparations. Third party incentive and rebate programs have precise requirements as to product performance and certification. All products meet applicable regulations in effect on date of manufacture; however, certifications are not necessarily granted for the life of a product. Therefore, it is the responsibility of the applicant to determine whether a specific model qualifies for these incentive/rebate programs.