



## MANUFACTURED HOUSING GAS FURNACES

*MG1E\*A - Downflow Without Coil Box*

*MG1E\*B - Downflow With Coil Box*

### **Unique Manufactured Housing Design**

*with a robust, 20"W, fully-insulated cabinet to fit the standard MH footprint; the MG1E is our most economical, HUD-compliant, gas furnace.*

### **AC-Ready 4-Ton ECM Blower**

*with 5-speed taps, with/without a factory-installed 20"H coil box; allowing for a field-installed 26"H coil box to suit your capacity and access needs.*

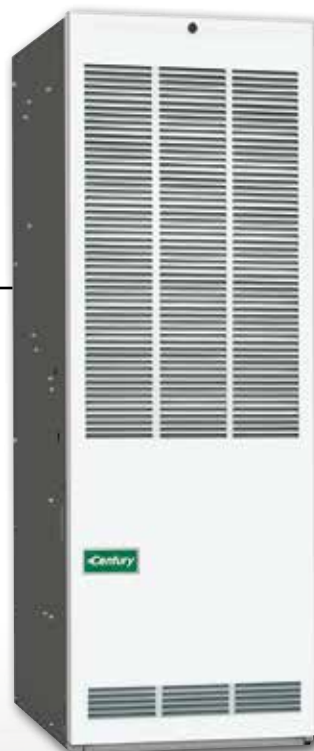
*(See CMH-Series Coil Specifications Sheet or visit [www.marsdeliversratings.com](http://www.marsdeliversratings.com) for available AHRI-rated coil-fit matches)*

### **Quick LP Conversion**

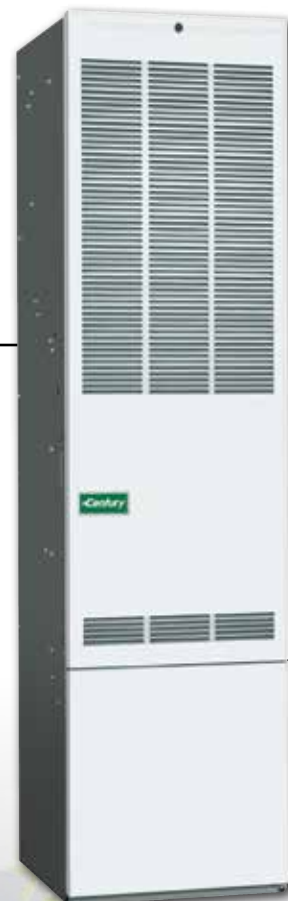
*with an easy-access gas valve regulator and manifold assembly; using the factory-supplied LP orifice, included with the unit.*

### **Numerous Application Accessories**

*save the hassle of field-fabrication, sourcing and repeat supply-house trips; on new or replacement jobs.*



**MG1E\*A**



**MG1E\*B**



**Warranty**—1 year labor, 2 years on parts, 10 years heat exchanger  
(Some limitations apply; see printed warranty for details.)

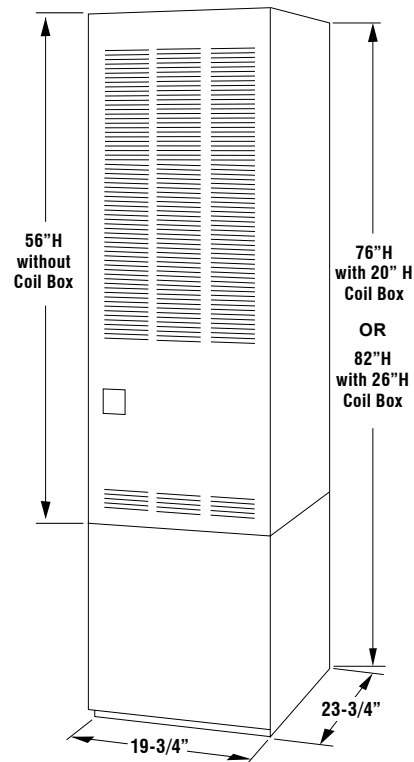
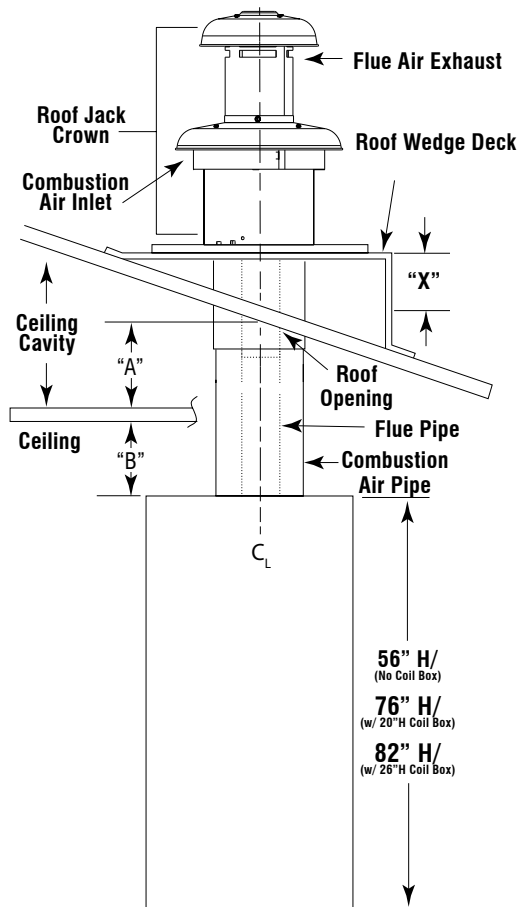
[www.century-hvac.com](http://www.century-hvac.com)

## MG1E 80% AFUE DOWNFLOW GAS FURNACES

Model #	Coil Box	Input	Output	Dimensions H x D x W	Shipping Dimensions H x D x W	Ship Wt.	Orifice <sup>2</sup>		AC Blower
							NG	LP	
MG1E-056F1AAM*	No, Optional <sup>1</sup>	56 MBH	45 MBH	56" x 23-3/4" x 19-3/4"	58-1/8" x 26-1/2" x 21-5/16"	157 lb	29	45	4-Tons
MG1E-070F1AAM*	No, Optional <sup>1</sup>	70 MBH	57 MBH	56" x 23-3/4" x 19-3/4"	58-1/8" x 26-1/2" x 21-5/16"	157 lb	24	42	4-Tons
MG1E-077F1AAM*	No, Optional <sup>1</sup>	77 MBH	62 MBH	56" x 23-3/4" x 19-3/4"	58-1/8" x 26-1/2" x 21-5/16"	157 lb	21	40	4-Tons
MG1E-090F1AAM*	No, Optional <sup>1</sup>	85 MBH	67 MBH	56" x 23-3/4" x 19-3/4"	58-1/8" x 26-1/2" x 21-5/16"	157 lb	17	36	4-Tons
MG1E-056F1ABM*	Yes, 20"H	56 MBH	45 MBH	76" x 23-3/4" x 19-3/4"	78-1/8" x 26-1/2" x 21-5/16"	171 lb	29	45	4-Tons
MG1E-070F1ABM*	Yes, 20"H	70 MBH	57 MBH	76" x 23-3/4" x 19-3/4"	78-1/8" x 26-1/2" x 21-5/16"	171 lb	24	42	4-Tons
MG1E-077F1ABM*	Yes, 20"H	77 MBH	62 MBH	76" x 23-3/4" x 19-3/4"	78-1/8" x 26-1/2" x 21-5/16"	171 lb	21	40	4-Tons
MG1E-090F1ABM*	Yes, 20"H	85 MBH	67 MBH	76" x 23-3/4" x 19-3/4"	78-1/8" x 26-1/2" x 21-5/16"	171 lb	17	36	4-Tons

1) If adding a central air split system, you must also order a separate field-installed coil box.

2) Orifice will vary with altitude; consult the unit installation instructions for correct orifice selection for your application and altitude.



"This product complies with all California product labeling laws including, but not limited to, the Safe Drinking Water and Toxic Enforcement Act of 1986, more commonly known as Proposition 65."

*Due to ongoing product improvements, specifications and dimensions are subject to change and correction without notice or incurring obligations. Determining the application and suitability for use of any product is the responsibility of the installer. Additionally, the installer is responsible for verifying dimensional data on the actual product prior to beginning any installation preparations.*

*Third party incentive and rebate programs have precise requirements as to product performance and certification. All products meet applicable regulations in effect on date of manufacture; however, certifications are not necessarily granted for the life of a product. Therefore, it is the responsibility of the applicant to determine whether a specific model qualifies for these incentive/rebate programs.*